



100 SERIES

- Switch adjustment ranges from vacuum through 6,000 psi depending on model
- 100V: Standard Brass with NBR diaphragm wetted parts, 100L: Standard Brass with Polyimide diaphragm wetted parts, 100H: Standard Zinc-nickel with NBR diaphragm wetted parts
- SPST creep action switch with Silver-plated contacts
- RoHS compliant

APPLICATIONS

- Hydraulics & pneumatics
- Pumps & compressors
- Tank monitoring
- Leak detection
- Water management

SPECIFICATIONS

Switching parameters	
Function	SPST N.O. or N.C. contact
Contact rating	100 VA Max Voltage 42 Vdc
Repeatability	See Chart on page 107
Hysteresis	<10% of setpoint
Contact material	Silver-plated, optional gold-plated
Frequency	Max. 60 cycles/min
Switch type	Creep action
Pressure ranges	Vacuum through 6,000 psig
Service life	>1,000,000 load cycles
Temperature ranges	Media -13 °F to 185 °F (-25 °C to 85 °C) Ambient -13 °F to 185 °F (-25 °C to 85 °C) Storage -13 °F to 185 °F (-25 °C to 85 °C)
Proof pressure	100V: 350 psi 100L: 500 psi 100H: 9,000 psi
Measuring element	100V: Brass, NBR diaphragm 100L: Brass, Polyimide diaphragm 100H: Zinc-nickel plated Steel, NBR diaphragm
Housing material	100V & 100L: Brass, optional Stainless Steel 100H: Zinc-nickel plated Steel, optional Stainless Steel
Environmental rating	IP00 - Exposed Terminals IP69 - Flying Leads & Deutsch Integral
Weight	Approximately 0.2 lb.

WARNING: This product can expose you to chemicals including Lead and Nickel, which are known to the State of California to cause cancer and birth defects or other reproductive harm. For more information go to www.P65Warnings.ca.gov

ORDERING INFORMATION			
SERIES	100V 100 Vacuum Series 100L 100 Low Pressure Series	100H 100 High Pressure Series	
SWITCH FUNCTIONS	1 SPST, Normally open	2 SPST, Normally closed	
PROCESS CONNECTION	1 1/8" NPT male 2 1/4" NPT male 10 G 1/4B	31 9/16-18 SAE Male, Non-Adjustable 33 G 1/8B 45 7/16-20 SAE Male, Non-Adjustable	
100V VACUUM PRESSURE SWITCH ADJUSTMENT RANGES (Max. working pressure)	3/25-vac -3 inHg to -25 inHg (350 psig)		
100L LOW PRESSURE SWITCH ADJUSTMENT RANGES (Max. working pressure)	2/20 2 psig to 20 psig (350 psig) 15/100 15 psig to 100 psig (350 psig)	50/150 50 psig to 150 psig (350 psig)	
100H HIGH PRESSURE SWITCH ADJUSTMENT RANGES (Max. working pressure)	2/30 2 psig to 30 psig (9,000 psig) 15/200 15 psig to 200 psig (9,000 psig) 125/600 125 psig to 600 psig (9,000 psig)	300/2500 300 psig to 2,500 psig (9,000 psig) 500/3500 500 psig to 3,500 psig (9,000 psig) 3000/6000 3,000 psig to 6,000 psig (9,000 psig)	
ELECTRICAL CONNECTIONS†	4 Spade Terminals (1/4 x 1/32) 66 Deutsch Integral 2-Pin (DT04-2P) 77 18" Flying Leads 78 6-32 Terminal Screws 96 Weatherpack Tower, 2-Pin Female*	97 Weatherpack Tower, 2-Pin Male* 98 Weatherpack Shroud, 2-Pin Female* 99 Weatherpack Shroud, 2-Pin Male* 100 Deutsch 2-Pin Male (DT04-2P)* 103 Deutsch 2-Pin Female Socket (DT06-2S)*	
OPTIONS**	AU Gold Plated Contacts EP EPDM Diaphragm (-10/250 °F) HNBR Low Temp Nitrile Diaphragm (-40/110 °F)	SP Factory Adjusted Switch Point SS 316 SS Wetted Materials VT FKM Diaphragm (0/250 °F)	

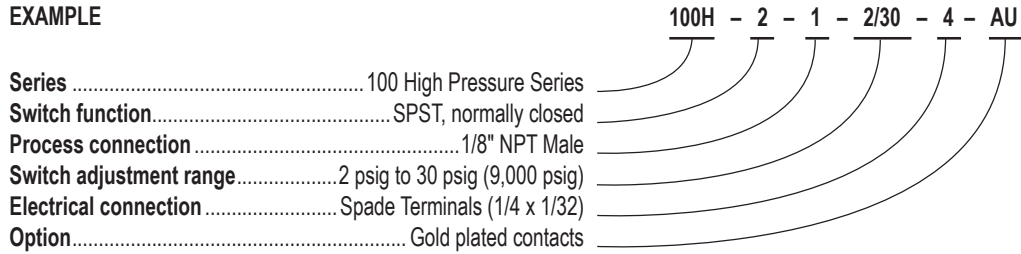
Please consult your local NOSHOK Distributor or NOSHOK, Inc. for availability and delivery information.

* Options attached to Flying Leads

** Not all options are available for all ranges, consult factory

† Other electrical connections available, consult factory

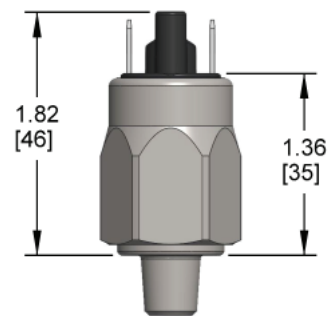
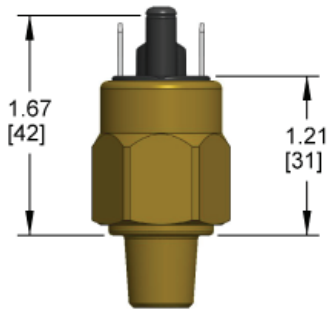
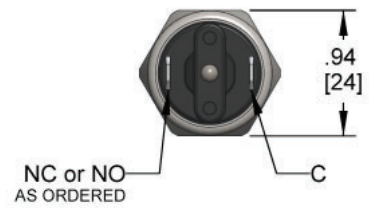
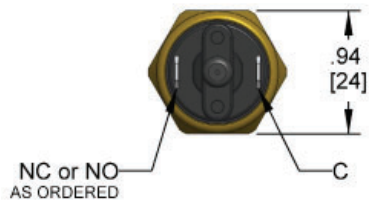
EXAMPLE



Series	Range	Repeatability
100V	3 - 25 inHg	1 psi or 5% of setpoint
100L	2 - 20	3% of full setpoint range
	15 - 100	
	50 - 150	
100H	2 - 30	3% of full setpoint range
	15 - 200	
	125 - 600	
	300 - 2,500	
	500 - 3,500 3,000 - 6,000	

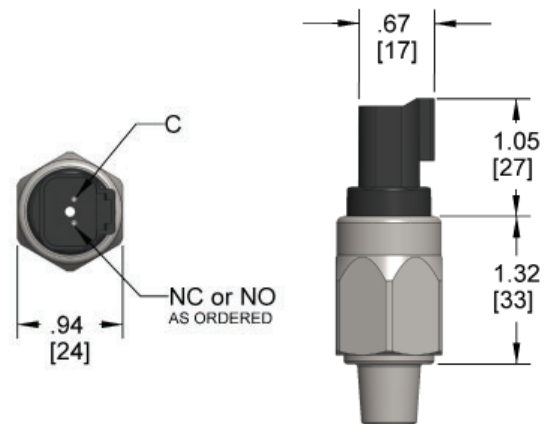
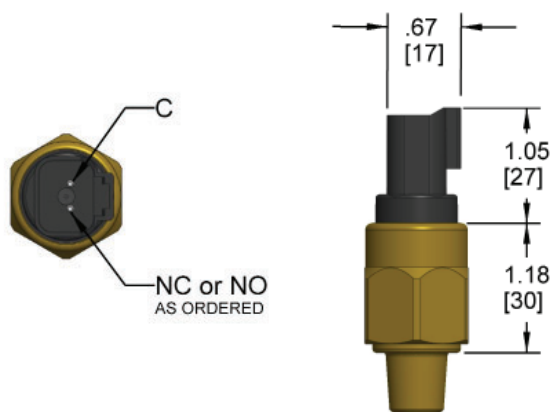
100V & 100L Spade Terminals

100H Spade Terminals



100V & 100L Deutsch 2-Pin

100H Deutsch 2-Pin



100V & 100L 18" Flying Leads **100H 18" Flying Leads**

