

TYPE 10/10H



- Designed to isolate the pressure measuring instrument from high temperatures, or corrosive or viscous process media
- Can be used for remote mounting of pressure instrument(s) with capillary
- Utilizes a replaceable diaphragm clamped between the flanged metal housings with an o-ring seal to create a leak-free union
- Process connection sizes from 1/4" NPT through 1-1/2" NPT
- Flushing port connection is an available option that allows the wetted areas of the seal to be cleaned, or the process vented without removing the unit from the line
- Consider instrument size, pressure range, media composition, ambient and operating temperature, and maximum working pressure when selecting
- Capillaries and cooling elements are available for elevated process temperatures, see page 24
- Fill fluid must be compatible with process media; i.e. Glycerin may become volatile in conjunction with a strong oxidizing agent such as chlorine, forms of oxygen or peroxide and nitric acids

APPLICATIONS

- Water and wastewater
- Oil and gas
- Petrochemical
- Chemical processing
- Industrial automation
- Marine
- Agriculture
- Steel fabrication
- Mud pumping
- Pulp and paper
- Pneumatic

SPECIFICATIONS

Seal type	Threaded with replaceable diaphragm. Flanged available on request.			
Instruments	Type	Size	Minimum Pressure	Maximum Pressure
	Gauges	2-1/2" to 6"	0 psig to 30 psig	0 psig to 2,000 psig (10H - 5,000 psig)
	Transducers	-	0 psig to 30 psig	0 psig to 2,000 psig (10H - 5,000 psig)
	Switches	-	0 psig to 30 psig	0 psig to 2,000 psig (10H - 5,000 psig)
Upper housing	Type	Non-continuous duty (10H continuous duty)		
	Connections	1/4" NPT, 1/2" NPT		
	Materials	Polyurethane enamel coated Steel, 316 Stainless Steel		
Diaphragm	Size	3.0" (Type 10), 2-1/2" (Type 10H)		
	Displacement	3.2 ml (Type 10), 1.4 ml (Type 10H)		
	Materials	316 Stainless Steel (Exotic materials available on request)		
O-rings	NBR, PTFE and FKM			
Lower housing	Connections	1/4" NPT, 1/2" NPT, 3/4" NPT, 1" NPT, 1-1/4" NPT, 1-1/2" NPT		
	Materials	Polyurethane enamel coated Steel and 316 Stainless Steel (Exotic materials available on request)		
	Flushing port	Optional 1/8" NPT, 1/4" NPT and dual ports		
Bolting	Zinc-plated Steel, optional Stainless Steel			
Operating temperature	Operating temperature is determined by the temperature/pressure configuration. See the Material temperature table.			

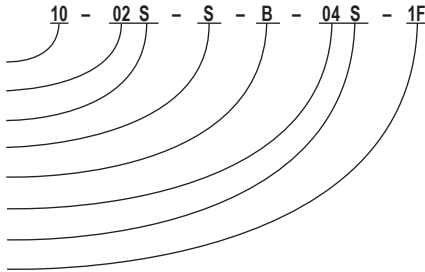
ORDERING INFORMATION				
TYPES	10 (2,000 psi)	10H (5,000 psi)		
INSTRUMENT CONNECTION SIZES	02 1/4" NPT	04 1/2" NPT		
UPPER HOUSING MATERIALS	C Carbon Steel	S 316 Stainless Steel		
DIAPHRAGM MATERIALS	A Tantalum	M Monel 400	S 316 Stainless Steel **	U Titanium Grade 4
	H Hastelloy C - 276	N Inconel 600	T PTFE*, †	V FKM*, ***
O-RING MATERIALS	B NBR	T PTFE ¹	V FKM	
PROCESS CONNECTION SIZES	02 1/4" NPT	06 3/4" NPT	10 1-1/4" NPT	
	04 1/2" NPT	08 1" NPT	12 1-1/2" NPT	
LOWER HOUSING MATERIALS	C Carbon Steel	M Monel 400	S 316 Stainless Steel	
	H Hastelloy C-276	N Inconel 600	U Titanium	
OPTIONAL FLUSHING CONNECTIONS	1F 1/8" NPT	2F 1/4" NPT		
OPTIONAL FLUSH PORT PLUG	P (Flush port plug will match lower housing material.)			

Please consult your local NOSHOK Distributor or NOSHOK, Inc. for availability and delivery information.

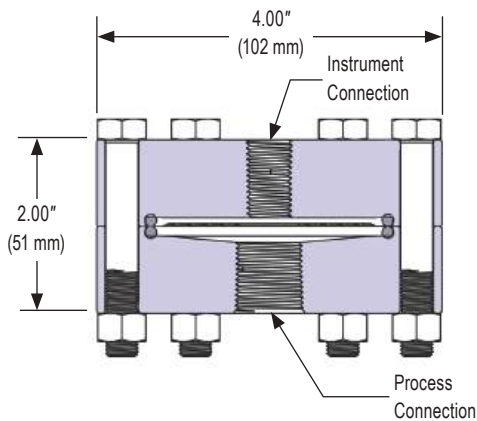
- * Not available with 10H
- ** NBR o-rings standard with 316SS diaphragm
- *** FKM o-rings standard with FKM diaphragm
- † PTFE o-rings standard with all other diaphragms

EXAMPLE

Type10
 Instrument connection size 1/4" NPT
 Upper housing material 316 Stainless Steel
 Diaphragm material 316 Stainless Steel
 O-ring material NBR
 Process connection size 1/2" NPT
 Lower housing material 316 Stainless Steel
 Flushing connection (optional) 1/8" NPT



Type 10 Standard Pressure



Type 10H Elevated Pressure

