



## 10 SERIES

- 1-1/2" and 2" clamp, fillable dry or liquid-filled gauge
- Ranges from -30 inHg to 0 psig through 0 psig to 600 psig
- 2-1/2" and 4" gauge sizes
- Electropolished Stainless Steel case
- 316 Stainless Steel wetted parts
- Meets the requirements of 3-A
- C.I.P, S.I.P and Autoclave (only dry gauges are recommended for Autoclave)

### APPLICATIONS

- Food & beverage processing
- Pasteurization systems
- Pharmaceutical
- Medical

### SPECIFICATIONS

<b>Pressure ranges</b>	-30 inHg to 0 psig through 0 to 600 psig
<b>Accuracy</b>	2-1/2" gauge $\pm 1.6\%$ full scale 4" gauge $\pm 1.0\%$ full scale
<b>Temperature ranges</b>	Media -40 °F to 300 °F (-40 °C to 150 °C) Ambient 25 °F to 140 °F (-4 °C to 60 °C) Storage 25 °F to 140 °F (-4 °C to 60 °C)
<b>Measuring element</b>	316 Stainless Steel "C" tube
<b>Connection</b>	1-1/2" or 2" ASME-BPE Sanitary Clamp, 316L Stainless Steel Diaphragm 316L Stainless Steel, electropolished to 32 $\mu\text{m}$ Ra or better
<b>Case</b>	Electropolished 304 Stainless Steel
<b>Bayonet ring</b>	Electropolished 304 Stainless Steel
<b>Lens</b>	Safety glass
<b>Pointer</b>	Balanced Aluminum, black finish
<b>Dial</b>	Aluminum, white background, black print
<b>Movement</b>	Stainless Steel
<b>Fill liquid</b>	Glycerin, USP Grade

\***Note:** Autoclave requires the addition of optional laminated safety glass lens

Diaphragm seal must be installed facing downward or in a vertical position for drainability.  
Do not install diaphragm seal facing in an upward position.

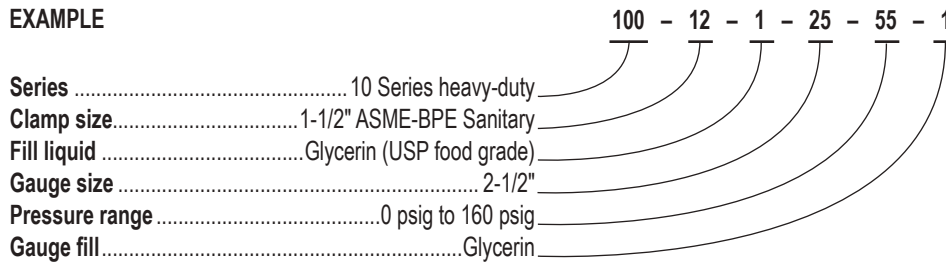
ORDERING INFORMATION					
<b>SERIES</b>	100	10 Series heavy-duty, bottom connected	101	10 Series heavy-duty, back connected	
<b>CLAMP SIZES</b>	12	1-1/2"	16	2"	
<b>FILL LIQUID</b>	1	Glycerin	Other food grade quality fill fluids available – please consult factory		
<b>GAUGE SIZES</b>	25	2-1/2"	40	4"	
<b>PRESSURE RANGES</b>	01	-30 inHg to 0 psig *	16	-30 inHg to 160 psig	
	04	-30 inHg to 15 psig	19	-30 inHg to 200 psig	
	07	-30 inHg to 30 psig	22	-30 inHg to 300 psig	
	10	-30 inHg to 60 psig	40	0 psig to 15 psig *	
	13	-30 inHg to 100 psig	43	0 psig to 30 psig	
	46	0 psig to 60 psig	64	0 psig to 400 psig	
	49	0 psig to 100 psig	70	0 psig to 600 psig	
	55	0 psig to 160 psig	58	0 psig to 200 psig	
	61	0 psig to 300 psig			
<b>GAUGE FILLS</b>	0	None	1	Glycerin	
		(All food grade quality fill fluids)		2	Silicone
				3	Mineral oil
<b>GAUGE OPTIONS</b>	0	None	1	Max. Indicating Pointer**	
			2	Adjustable Pointer **	

Please consult your local NOSHOK Distributor or NOSHOK, Inc. for availability and delivery information.

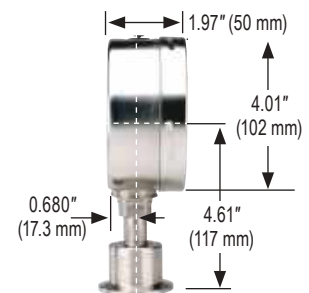
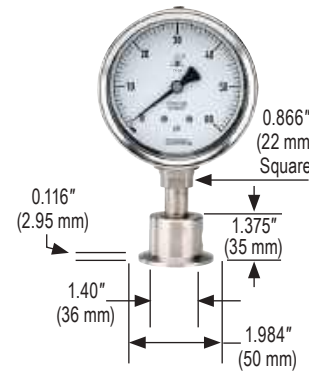
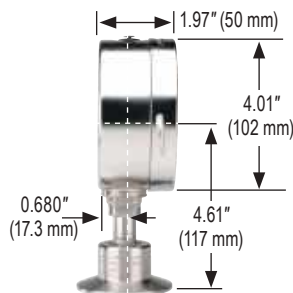
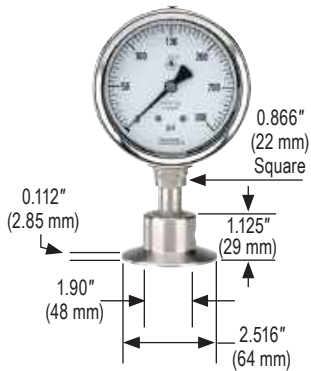
\* Not available on 4" gauge and 1-1/2" ASME-BPE Sanitary Clamp

\*\* Not available on 2-1/2" gauge

### EXAMPLE



## 4" Gauge with 2" ASME-BPE Sanitary Clamp Connection      4" Gauge with 1-1/2" ASME-BPE Sanitary Clamp Connection



## 2-1/2" Gauge with 2" ASME-BPE Sanitary Clamp Connection      2-1/2" Gauge with 1-1/2" ASME-BPE Sanitary Clamp Connection

