



1100 SERIES

- Simple, rugged, compact differential pressure gauge
- Ranges from 0 inH₂O to 20 inH₂O through 0 psid to 100 psid
- 2-1/2", 4-1/2" and 6" gauge sizes
- Engineered plastic gauge case
- Black anodized Aluminum housing, 316 Stainless Steel optional

APPLICATIONS

- Heat exchangers
- Filter monitoring
- Flow indication
- Level indication

SPECIFICATIONS

Pressure ranges	0 inH ₂ O to 20 inH ₂ O through 0 psid to 100 psid
Max. working static pressure	Aluminum & Stainless Steel 3,000 psig; Brass 1,500 psig
Accuracy	±3/2/3% of full scale on rising pressure
Temperature ranges (Including switch option)	Media -40 °F to 200 °F (-40 °C to 93 °C) Ambient -40 °F to 200 °F (-40 °C to 93 °C) Storage -40 °F to 200 °F (-40 °C to 93 °C)
Temperature ranges (4-20 mA transmitter option)	Ambient -20 °F to 150 °F (-29 °C to 66 °C)
Measuring element	316 Stainless Steel, PTFE and ceramic magnet
O-ring & diaphragm material	NBR
Connection	1/4" NPT female, back connection
Sensor housing material	Black anodized Aluminum
Case	Engineered plastic
Bezel	Engineered plastic
Lens	Shatter-resistant acrylic
Pointer	Balanced Aluminum, black finish
Dial	Aluminum, white background with black scale
Movement	Magnetic
Optional switch rating	SPDT, 3W, 0.25 Amp, 125 Vac/Vdc (standard) (switch adjustable range of 15-95%). Other options available, consult factory.

ORDERING INFORMATION				
GAUGE SIZES & SERIES	25 - 11 2-1/2"	45 - 11 4-1/2"	60 - 11 6"	
CONNECTION LOCATIONS	0 Dual top & bottom ***	1 Back	2 Side	3 Bottom
CONNECTION SIZE	2 1/4" NPT female	9 7/16-20 female (Back or side only)		
PRESSURE RANGES*	W20 0 inH ₂ O to 20 inH ₂ O	W75 0 inH ₂ O to 75 inH ₂ O	W400 0 inH ₂ O to 400 inH ₂ O	P30 0 psid to 30 psid
	W25 0 inH ₂ O to 25 inH ₂ O	W100 0 inH ₂ O to 100 inH ₂ O	P5 0 psid to 5 psid	P50 0 psid to 50 psid
	W30 0 inH ₂ O to 30 inH ₂ O	W135 0 inH ₂ O to 135 inH ₂ O	P10 0 psid to 10 psid	P60 0 psid to 60 psid
	W40 0 inH ₂ O to 40 inH ₂ O	W150 0 inH ₂ O to 150 inH ₂ O	P15 0 psid to 15 psid	P75 0 psid to 75 psid
	W50 0 inH ₂ O to 50 inH ₂ O	W200 0 inH ₂ O to 200 inH ₂ O	P20 0 psid to 20 psid	P100 0 psid to 100 psid
	W60 0 inH ₂ O to 60 inH ₂ O	W300 0 inH ₂ O to 300 inH ₂ O	P25 0 psid to 25 psid	
SENSOR HOUSING MATERIALS	A Aluminum, black	B Brass	S 316L Stainless Steel	
O-RING & DIAPHRAGM MATERIALS	2 FKM	3 NBR	4 EPDM	
CASE MATERIAL	A Aluminum (4-1/2" only)	P Engineered plastic		
LENSES	1 Shatter-resistant acrylic	2 Safety glass**	3 Maximum indicating pointer (MIP) †	
FILL FLUIDS (optional)	GY Glycerin	SL Silicone ††		
SWITCH OR TRANSMITTER TYPE & HOUSING (OPTIONAL)	3 Single switch, NEMA 4X	7 4-20 mA transmitter in NEMA 4x IP65 plastic enclosure with terminal strip (1/2" female NPT conduit connection).		
	4 Dual switch, NEMA 4X			
OPTIONS	MH (2) 1/4-20 Mounting Holes	RP Reversed Ports		
	MK5-CS Pipe Mounting Kit, Steel	ST Stainless Steel Tagging		
	MK5-SS Pipe Mounting Kit, Stainless Steel	WMK Wall Mounting Kit		

Please consult your local NOSHOK Distributor or NOSHOK, Inc. for availability and delivery information.

* Other ranges and scales available on request.

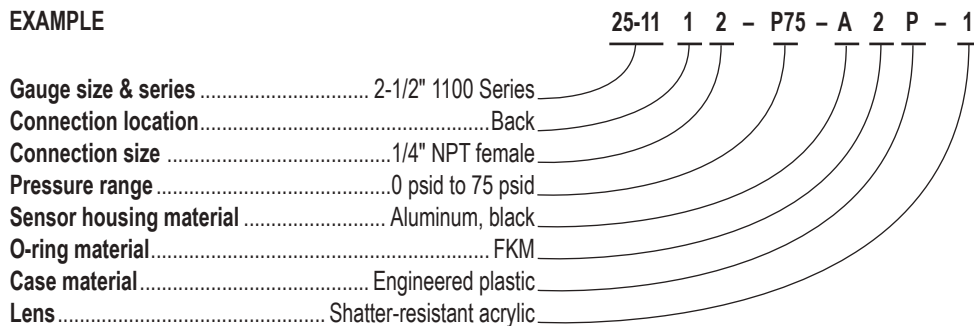
** Only available with dry, 4-1/2" gauge size with Aluminum case.

*** Not available with switch or transmitter option.

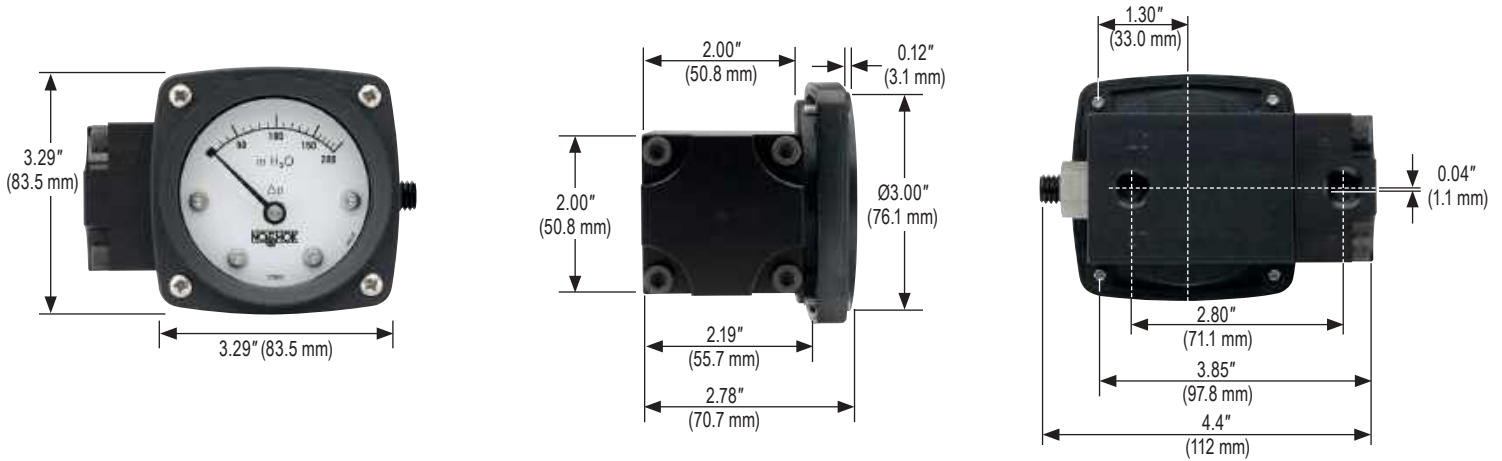
† Available with dry gauge only, 2-1/2" and 4-1/2" gauge sizes only.

†† Optional Silicone filling available with 2-1/2" and 6" gauge case sizes, and 4-1/2" gauge case size with Aluminum case and standard shatter-resistant acrylic lens only.

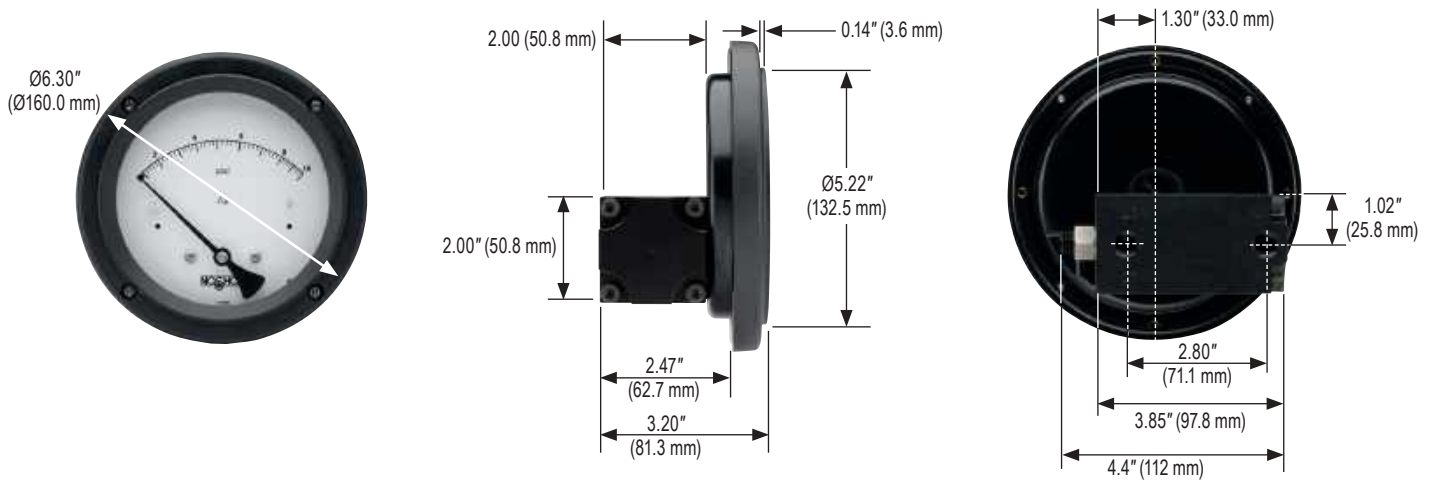
EXAMPLE



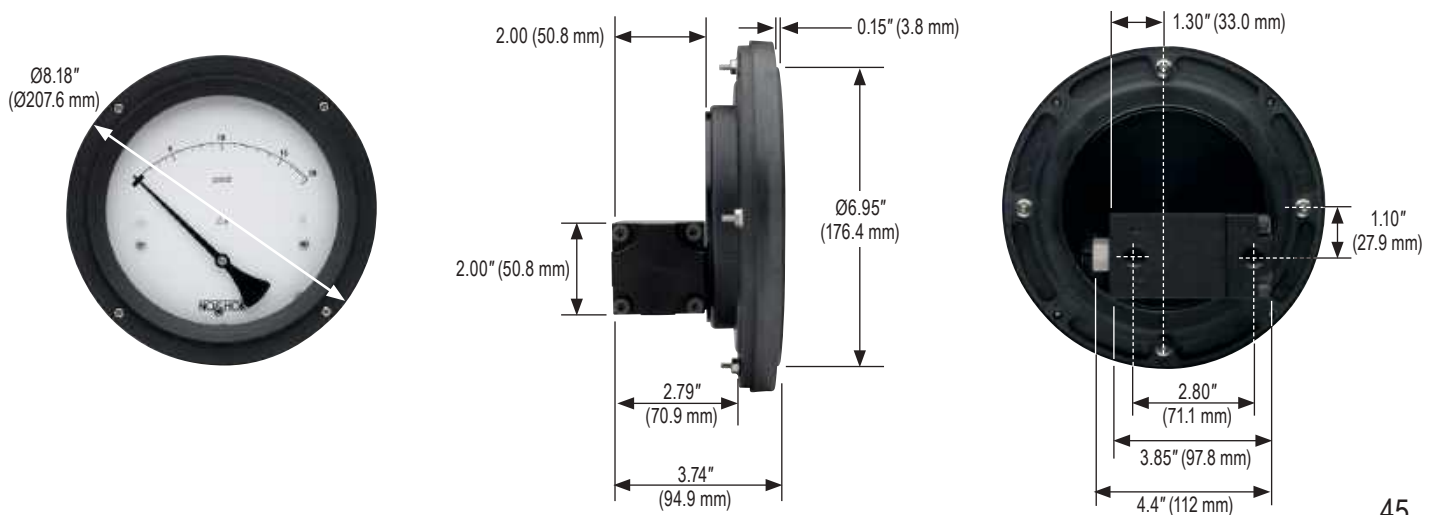
2-1/2" Gauge (<25 psid)



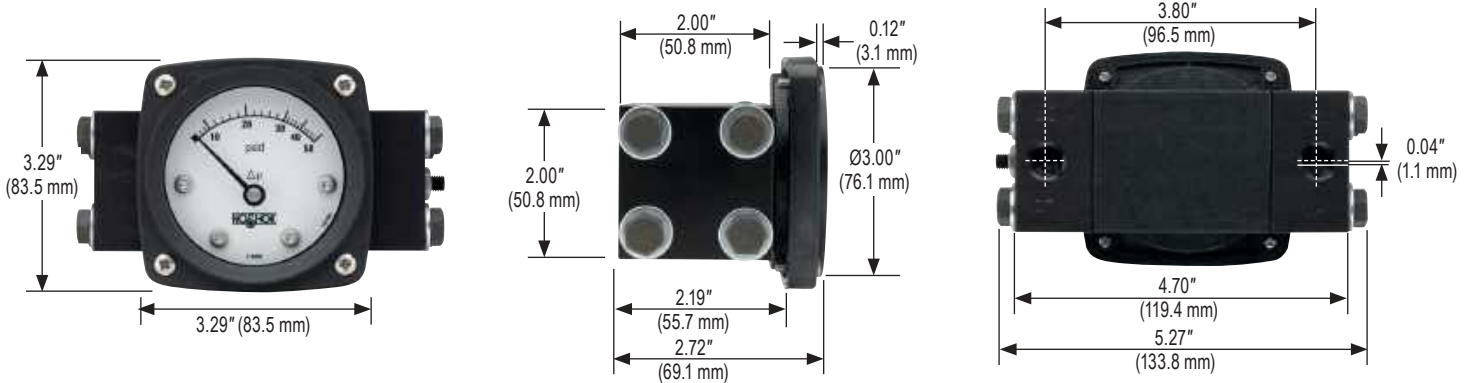
4-1/2" Gauge (<25 psid)



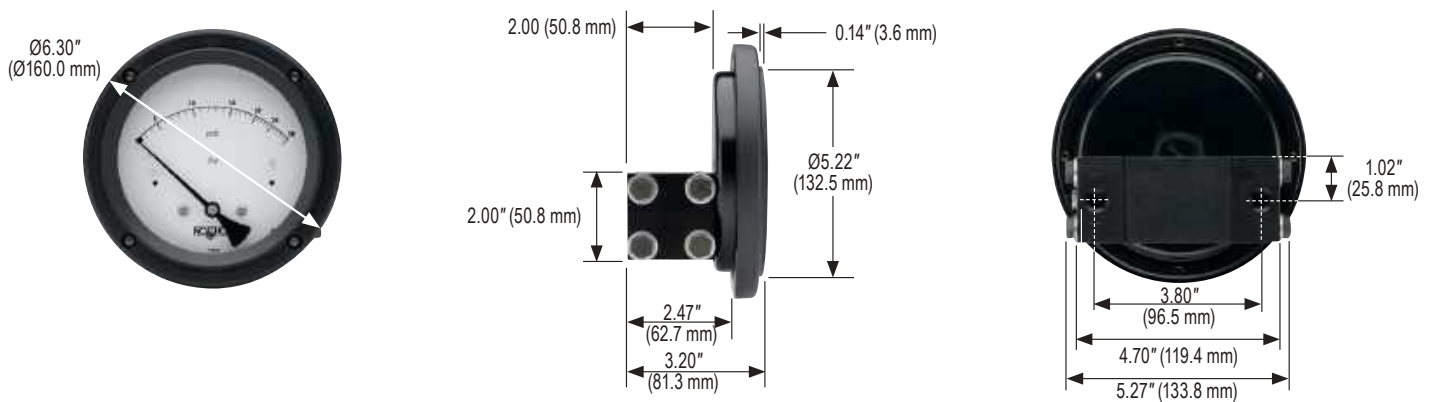
6" Gauge (<25 psid)



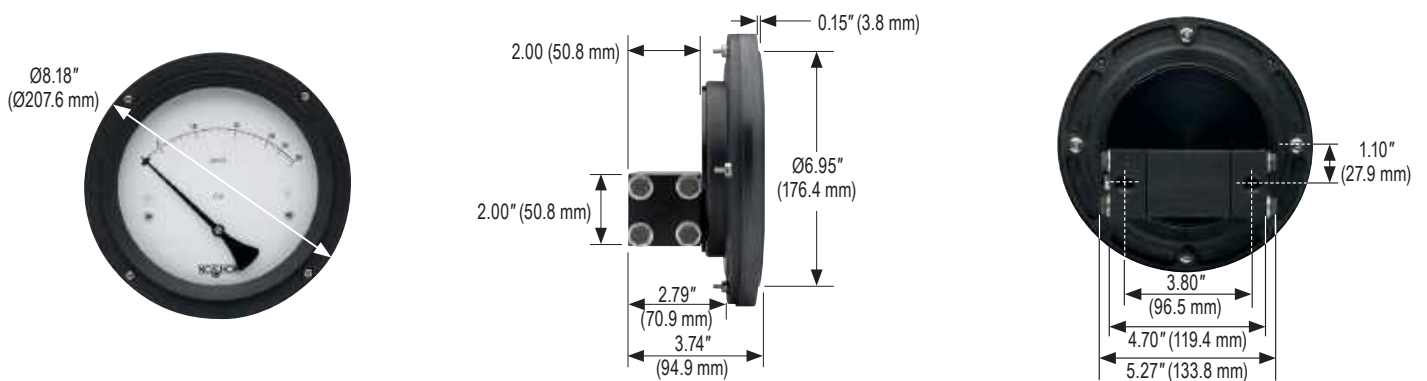
2-1/2" Gauge (≥25 psid)



4-1/2" Gauge (≥25 psid)



6" Gauge (≥25 psid)



4-20 mA Transmitter in NEMA 4x Enclosure



Single Switch in NEMA 4x Enclosure

