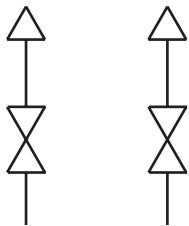


2020/2120 SERIES



- Designed for use with differential pressure transmitters in liquid level applications
- Available in either single flange or double flange connection for direct installation
- 100% helium leak tested to 1×10^{-4} ml/s for performance and reliability
- 2120 Series valves also feature a replaceable Acetal seat, and straight through porting for bidirectional, high capacity flow and easy roddable cleaning
- Blow-out proof stem provides a secondary stem seal in the full open position
- FKM o-ring seal and PTFE back-up ring below the stem threads to protect from corrosion and galling; PTFE or Graphite packing optional
- All stem threads are rolled for strength and ease of operation
- One-piece bonnet with a metal-to-metal seal to the valve body below the bonnet threads
- Slotted spring pin to prevent accidental loosening
- Color coded vinyl dust caps for bonnets and stems (non-packing)

Flow Schematic



SPECIFICATIONS	
Materials	Zinc-Nickel plated Steel, electropolished 316 Stainless Steel*
Connections	Flange-flange, 1/2" NPT-flange
Pressure ratings**	Hard seat: 10,000 psi @ 200 °F Soft seat: 6,000 psi @ 200 °F
Orifice size	0.187"
Flow coefficient	Hard seat: C_v 0.44 Soft seat: C_v 0.76
Stem seal & type	All 316 Stainless Steel stems with FKM o-ring and PTFE back-up ring below the threads, PTFE or Graphite packing optional
Options	Panel mountings, o-ring materials, handles, packings, regulating stem and stem tips
Weight	Approximately 5.5 lb.

* All 316SS products meet the requirements of NACE MR0175/ISO 15156-3.

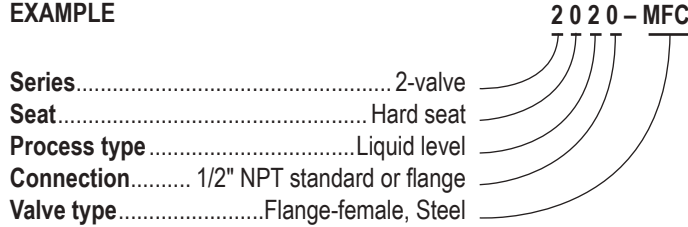
** If a packing option is chosen, maximum pressure rating is 6,000 psi. Refer to the "Pressure vs. Temperature: Packing Style with Compatible Fluid" chart at the back of this catalog.

WARNING: This product can expose you to chemicals including Lead and Nickel, which are known to the State of California to cause cancer and birth defects or other reproductive harm. For more information go to www.P65Warnings.ca.gov

NOTE: All NOSHOK valve products conform to the MSS SP-99 instrument valves standards, and valves supplied with packing also conform to MSS SP-132 compression packing systems for instrument valves standard.

SERIES	2 2-valve	
SEATS	0 Hard seat	1 Soft seat
PROCESS TYPE	2 Liquid level	
CONNECTIONS	0 1/2" NPT standard or flange	
VALVE TYPES	MFC Flange-Female, Steel	MFS Flange-Female, Stainless Steel
	MMC Flange-Flange, Steel	MMS Flange-Flange, Stainless Steel

Please consult your local NOSHOK Distributor or NOSHOK, Inc. for availability and delivery information.

EXAMPLE


To meet all of your specific application requirements, the following **additional options** are available for these manifold valves. To order all or any of these options, simply add them to the part number as shown in the diagram below.

NOTE 1: The example shown includes ALL possible additional options. Please include ONLY the options required for your application when building your part number. (EXAMPLE: 2020-MFC-P1)

NOTE 2: When a packing option is selected, an o-ring option is NOT available.

NOTE 3: The standard o-ring in all the NOSHOK manifold valves is FKM and T1 hard non-rotating (316SS) stem tip is the only option available on the 2120 Series soft seat version.

ORDERING INFORMATION - ADDITIONAL OPTIONS			
SOFT SEATS	PK1 PEEK***	KF1 PCTFE***	
PACKINGS†	P1 PTFE	P2 Graphite**	
STEM TIPS	T1 Non-rotating (316 Stainless)	T6 Ball (carbide)**	T8 Ball (Monel)**
	T5 Ball (440C Stainless)**	T7 Ball (ceramic)**	T9 Non-rotating regulating (316 Stainless)**
O-RINGS*	EM1 EPDM	KZ1 FFKM (Perfluoroelastomer)	NB1 NBR
HANDLES	HL1 1-13/16" Mini "T"	HL4 1-3/8" Phenolic	
	HL3 1" Round knurled	HL5 1-3/4" Phenolic	

Please consult your local NOSHOK Distributor or NOSHOK, Inc. for availability and delivery information.

† If a packing option is chosen, maximum pressure rating is 6,000 psi. Refer to the "Pressure vs. Temperature: Packing Style with Compatible Fluid" chart at the back of this catalog.

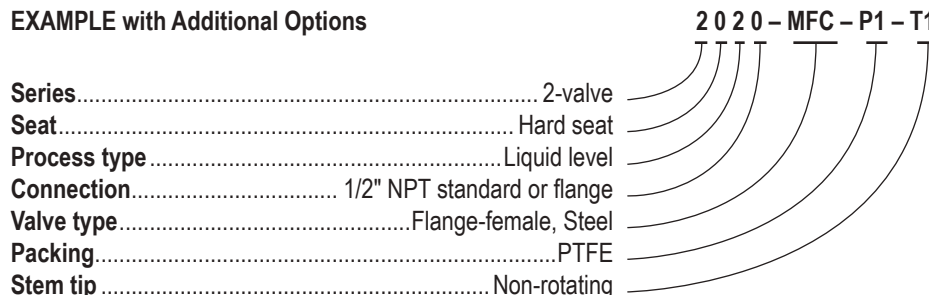
* Other o-ring materials available on request.

** For 2020 Series only.

*** For 2120 Series only.

Please note that the standard o-ring in all the NOSHOK valves is FKM and the standard handles are "T" handles (HL2).

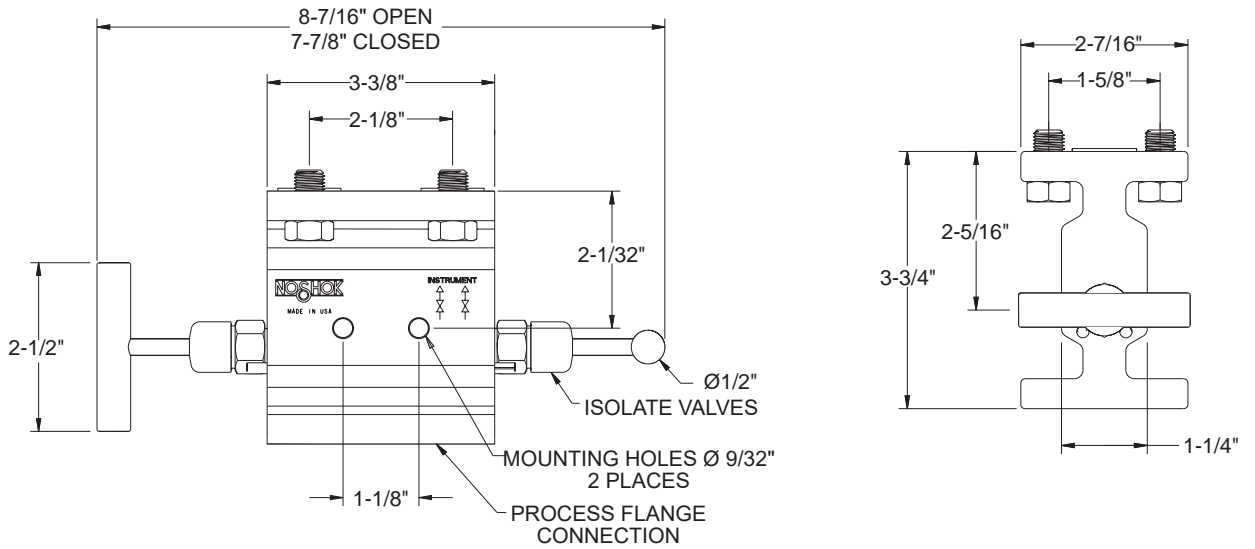
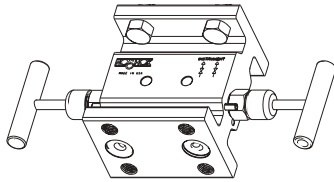
The handle material will always match the material of the valve, unless otherwise specified. For example, the "T" handle (HL2) on the 2020-MFC will be Steel. When only the standard configuration is needed, no additional designations are necessary. Please consult the factory for special application requests.

EXAMPLE with Additional Options


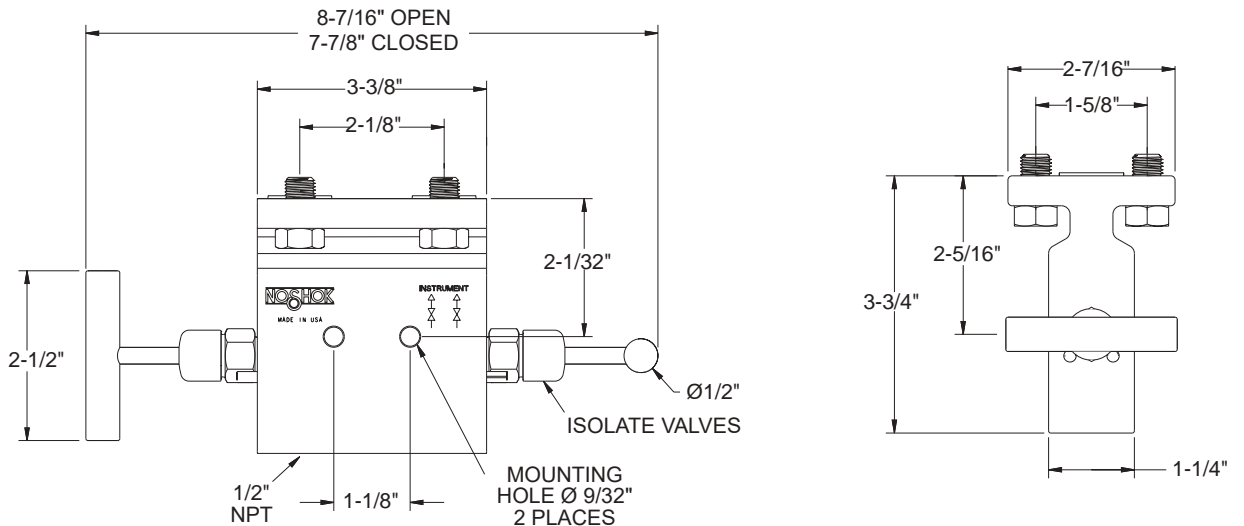
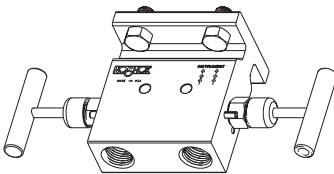
Dimensions



Flange-Flange

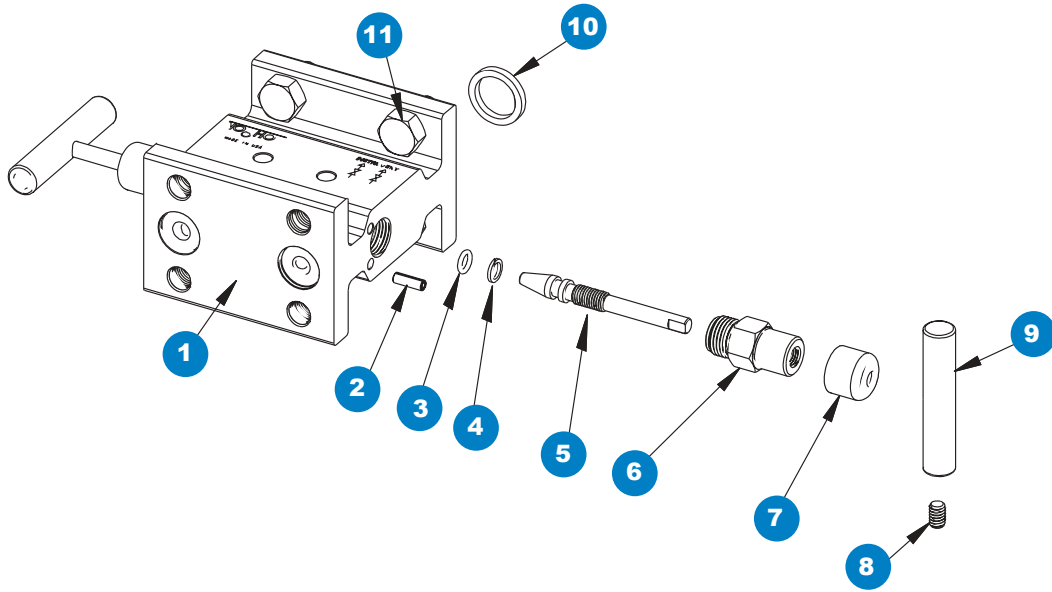


Flange-Female



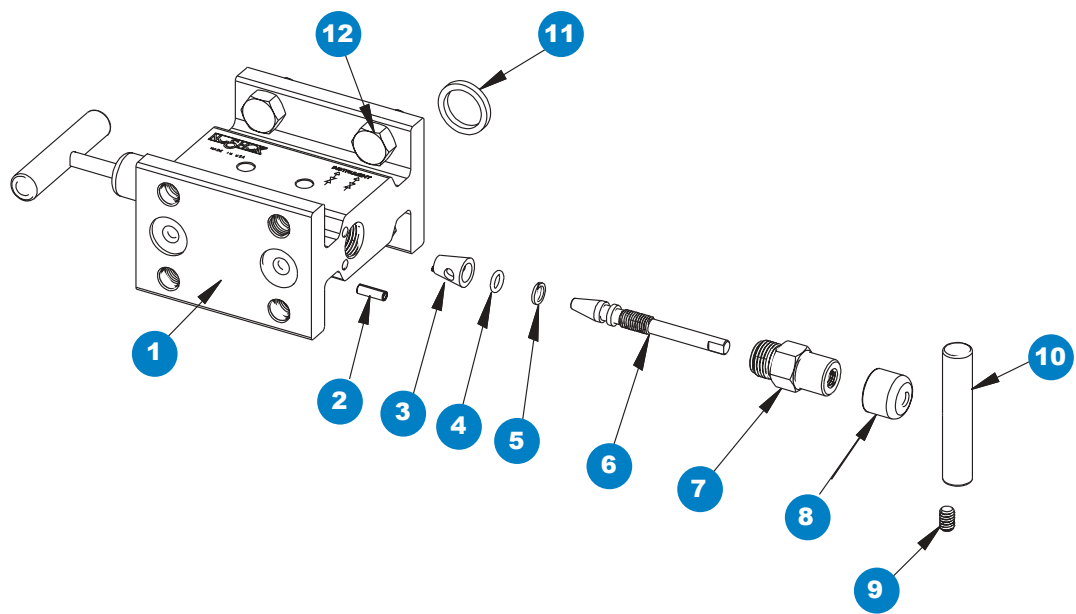
For panel mount or packing dimensions, see pg. 66.

Hard Seat



- 1 Valve body
- 2 Slotted spring pin
- 3 FKM o-ring
- 4 PTFE back-up ring
- 5 Valve stem
- 6 Valve bonnet
- 7 Blue dust cap
- 8 Set screw
- 9 Valve "T" handle
- 10 Gasket ring
- 11 Head bolt

Soft Seat



- 1 Valve body
- 2 Slotted spring pin
- 3 Acetal seat
- 4 FKM o-ring
- 5 PTFE back-up ring
- 6 Valve stem
- 7 Valve bonnet
- 8 Blue dust cap
- 9 Set screw
- 10 Valve "T" handle
- 11 Gasket ring
- 12 Head bolt