

# Compact Style Hard Seat

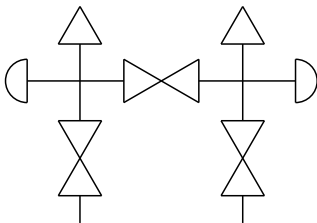


## 3040 SERIES



- Compact style manifold is designed for use with differential pressure transmitters incorporating two isolation valves and an equalizing valve in differential pressure measurement
- 100% helium leak tested to  $1 \times 10^{-4}$  ml/s for guaranteed performance and reliability
- Blow-out proof stem provides a secondary stem seal in the full open position
- FKM o-ring seal and PTFE back-up ring below the stem threads to protect from corrosion and galling; PTFE or Graphite packing optional
- All stem threads are rolled for strength and ease of operation
- One-piece bonnet with a metal-to-metal seal to the valve body below the bonnet threads
- Slotted spring pin to prevent accidental loosening
- Labeled and color coded vinyl dust caps for bonnets and stems

### Flow Schematic



### SPECIFICATIONS

|                             |  |
|-----------------------------|--|
| <b>Materials</b>            | Electropolished 316 Stainless Steel*   |
| <b>Connection</b>           | 1/2" NPT-flange  |
| <b>Pressure ratings</b>     | 6,000 psi @ 200 °F   |
| <b>Orifice size</b>         | 0.125"   |
| <b>Flow coefficient</b>     | $C_v$ 0.30   |
| <b>Stem seal &amp; type</b> | All 316 Stainless Steel stems with FKM o-ring and PTFE back-up ring below the threads, PTFE or Graphite packing optional |
| <b>Options</b>              | Packings, regulating stem and stem tips o-ring materials and handles   |
| <b>Additional features</b>  | Bleed plugs installed in static test ports   |
| <b>Weight</b>               | Approximately 4.4 lb.  |

\* All 316SS products meet the requirements of NACE MR0175/ISO 15156-3.

**WARNING:** This product can expose you to chemicals including Lead and Nickel, which are known to the State of California to cause cancer and birth defects or other reproductive harm. For more information go to [www.P65Warnings.ca.gov](http://www.P65Warnings.ca.gov)

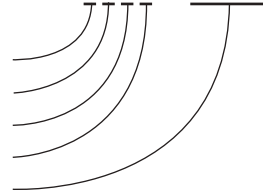
**NOTE:** All NOSHOK valve products conform to the MSS SP-99 instrument valves standards, and valves supplied with packing also conform to MSS SP-132 compression packing systems for instrument valves standard.

| ORDERING INFORMATION |   |
|----------------------|---|
| SERIES               | 3 3-valve   |
| SEATS                | 0 Hard seat   |
| PROCESS TYPE         | 4 Compact style, differential pressure  |
| CONNECTION           | 0 1/2" NPT standard   |
| VALVE TYPES          | MFS Flange-Female, Stainless Steel (MSS SP-99 spacing)      MFS-CP Flange-Female, Stainless Steel (Coplanar™ spacing) |

Please consult your local NOSHOK Distributor or NOSHOK, Inc. for availability and delivery information.

**EXAMPLE**

Series..... 3-valve  
 Seat..... Hard seat  
 Process type..... Compact style, differential pressure  
 Connection..... 1/2" NPT standard  
 Valve type..... Flange-female, Stainless Steel, Coplanar™ spacing

**3 0 4 0 - MFS-CP**


To meet all of your specific application requirements, the following **additional options** are available for these manifold valves. To order all or any of these options, simply add them to the part number as shown in the diagram below.

**NOTE 1:** The example shown includes ALL possible additional options. Please include ONLY the options required for your application when building your part number. (EXAMPLE: 3040-MFS-P1)

**NOTE 2:** When a packing option is selected, an o-ring option is NOT available.

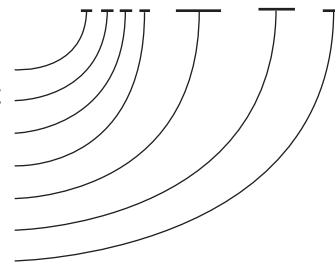
| ORDERING INFORMATION - ADDITIONAL OPTIONS |                                 |                               |  |
|---|---------------------------------|-------------------------------|--|
| PACKINGS                                  | P1 PTFE                         | P2 Graphite                   |  |
| STEM TIPS                                 | T1 Non-rotating (316 Stainless) | T6 Ball (carbide)             | T8 Ball (Monel)                            |
|   | T5 Ball (440C Stainless)        | T7 Ball (ceramic)             | T9 Non-rotating regulating (316 Stainless) |
| O-RINGS*                                  | EM1 EPDM                        | KZ1 FFKM (Perfluoroelastomer) | NB1 NBR                                    |

Please consult your local NOSHOK Distributor or NOSHOK, Inc. for availability and delivery information.

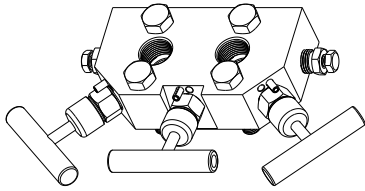
\* Other o-ring materials available on request.

**EXAMPLE with Additional Options**

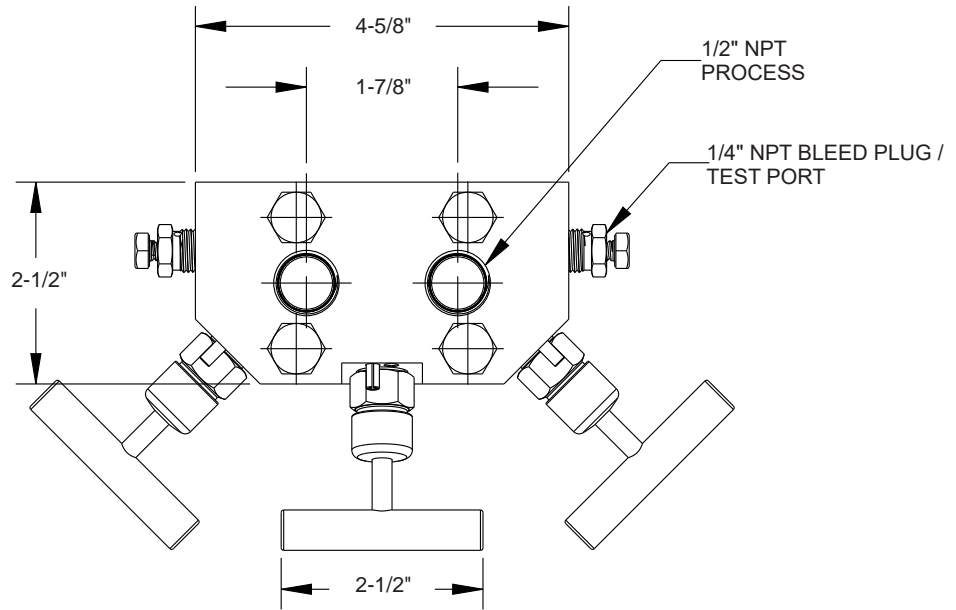
Series..... 3-valve  
 Seat..... Hard seat  
 Process type..... Compact style, differential pressure  
 Connection..... 1/2" NPT standard  
 Valve type..... Flange-female, Stainless Steel  
 Packing..... PTFE  
 Stem tip..... Non-rotating

**3 0 4 0 - MFS - P1 - T1**


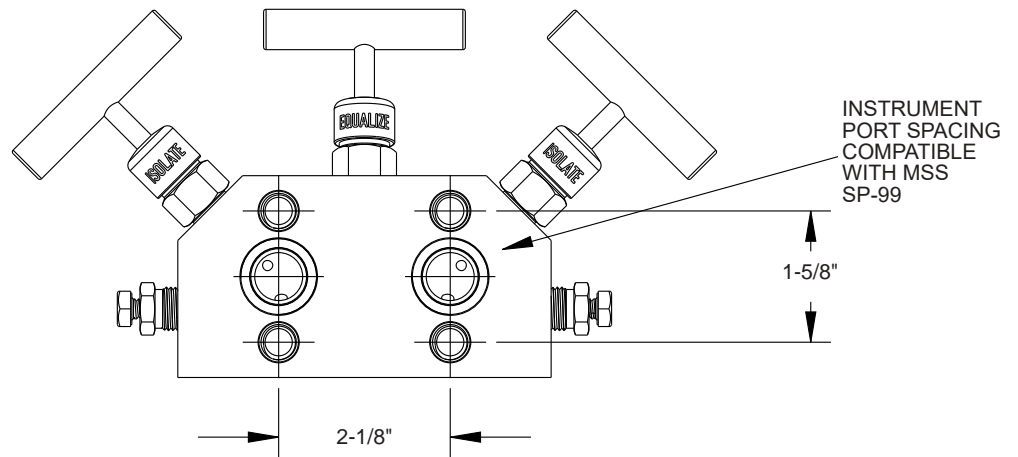
## Flange-Female MSS SP-99 Spacing



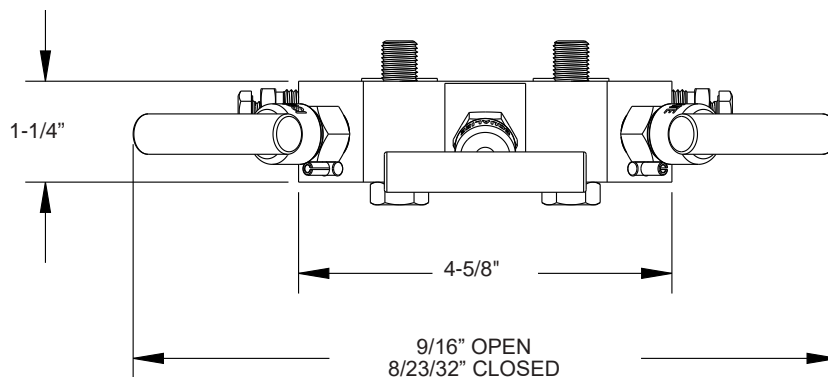
Bottom View



Top View

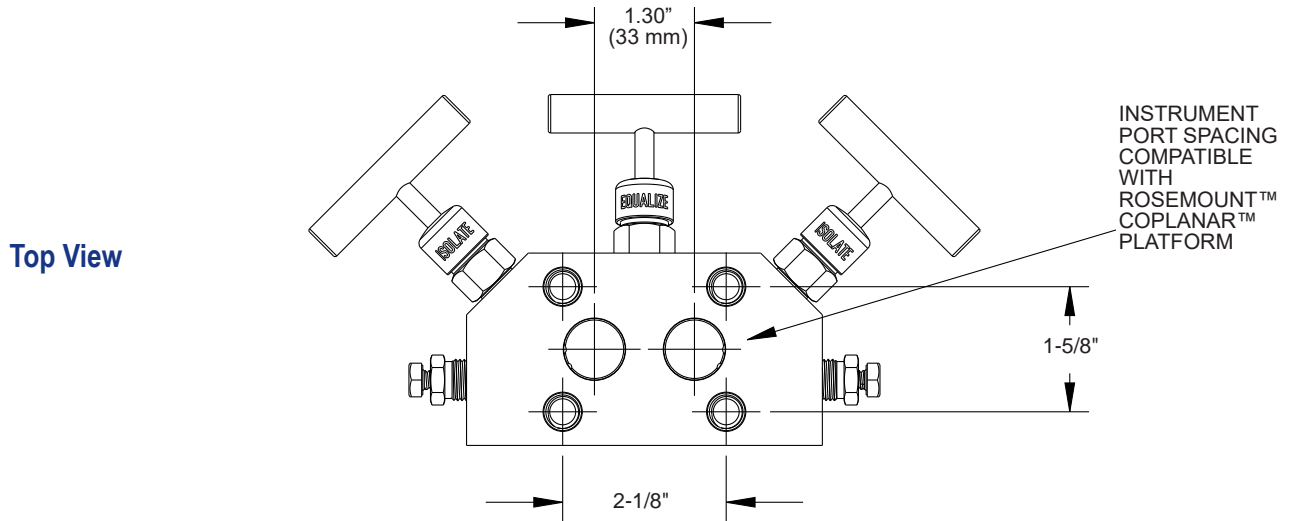


Front View

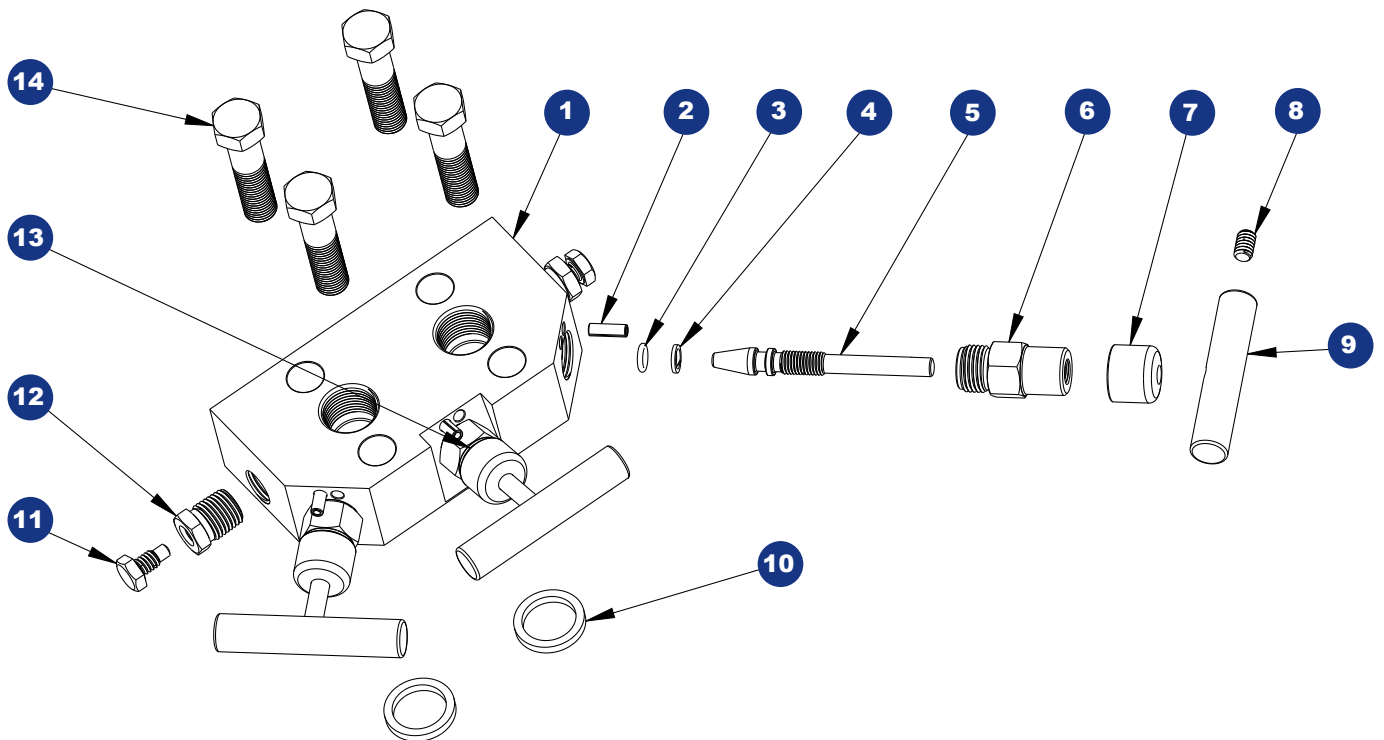


**Flange-Female Coplanar™ Spacing**

**Note:** All dimensions are the same as the SP-99 spacing except for the top view shown below.



**Flange-Female**



- |                      |                    |
|----------------------|--------------------|
| 1 Valve body         | 8 Set screw        |
| 2 Slotted spring pin | 9 Valve "T" handle |
| 3 FKM o-ring         | 10 Gasket ring     |
| 4 PTFE back-up ring  | 11 Bleed screw     |
| 5 Valve stem         | 12 Bleed plug      |
| 6 Valve bonnet       | 13 Green dust cap  |
| 7 Blue dust cap      | 14 Head bolt       |