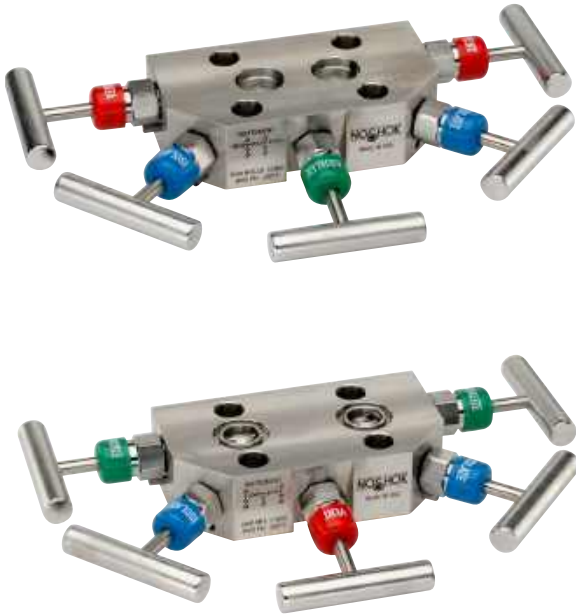


Compact Style Hard Seat

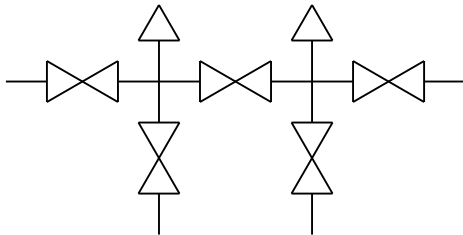


5040/5090 SERIES

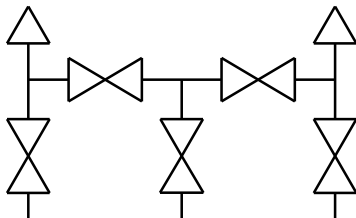


- Compact style, power pattern is designed for use with differential pressure transmitters incorporating two isolation valves, one equalizing valve and two vent valves in power pattern applications
- Compact style, natural gas flow is designed for use with differential pressure transmitters incorporating two isolation valves, two equalizing valves and a vent valve in natural gas applications
- 100% helium leak tested to 1×10^{-4} ml/s for performance and reliability
- Blow-out proof stem provides a secondary stem seal in the full open position
- FKM o-ring seal and PTFE back-up ring below the stem threads to protect from corrosion and galling
- All stem threads are rolled for strength and ease of operation
- One-piece bonnet with a metal-to-metal seal to the valve body below the bonnet threads
- Slotted spring pin to prevent accidental loosening
- Labeled and color coded vinyl dust caps for bonnets and stems

Differential/Power Pattern Flow Schematic (5040)



Natural Gas Flow Schematic (5090)



SPECIFICATIONS

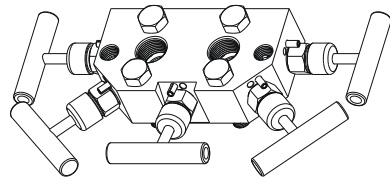
Materials	Electropolished 316 Stainless Steel*
Connection	1/2" NPT-flange
Pressure ratings	6,000 psi @ 200 °F
Orifice size	0.125"
Flow coefficient	C_v 0.30
Stem seal & type	All 316 Stainless Steel stems with FKM o-ring and PTFE back-up ring below the threads, PTFE or Graphite packing optional
Options	Packings, regulating stem and stem tips o-ring materials and handles
Weight	Approximately 4.4 lb.

* All 316SS products meet the requirements of NACE MR0175/ISO 15156-3.

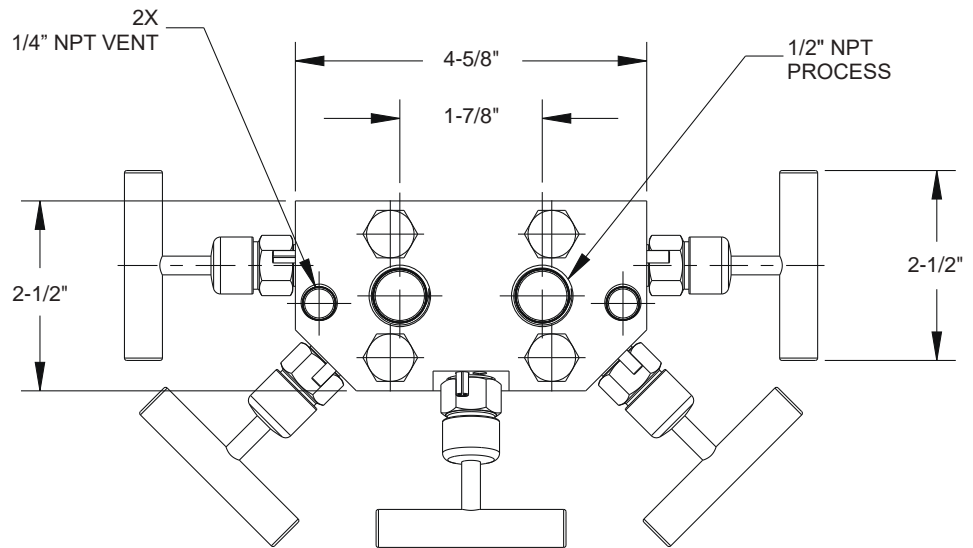
WARNING: This product can expose you to chemicals including Lead and Nickel, which are known to the State of California to cause cancer and birth defects or other reproductive harm. For more information go to www.P65Warnings.ca.gov

NOTE: All NOSHOK valve products conform to the MSS SP-99 instrument valves standards, and valves supplied with packing also conform to MSS SP-132 compression packing systems for instrument valves standard.

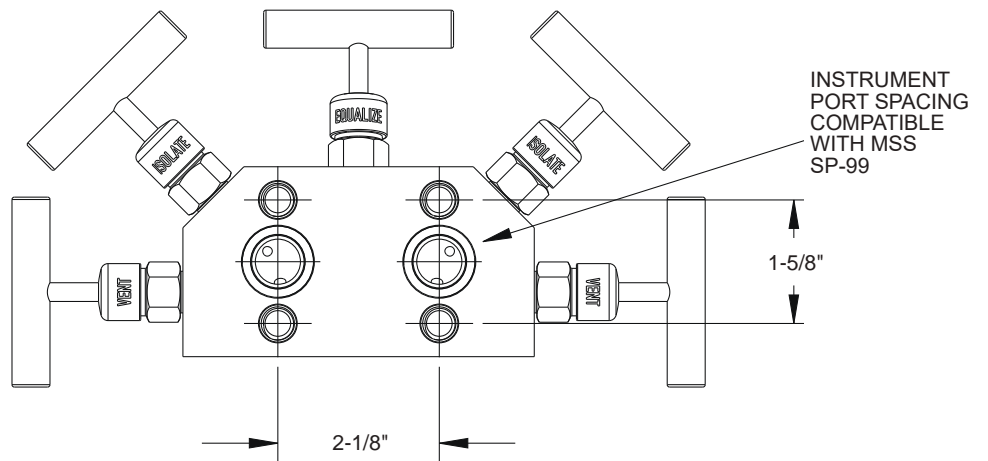
Flange-Female Power Pattern MSS SP-99 Spacing



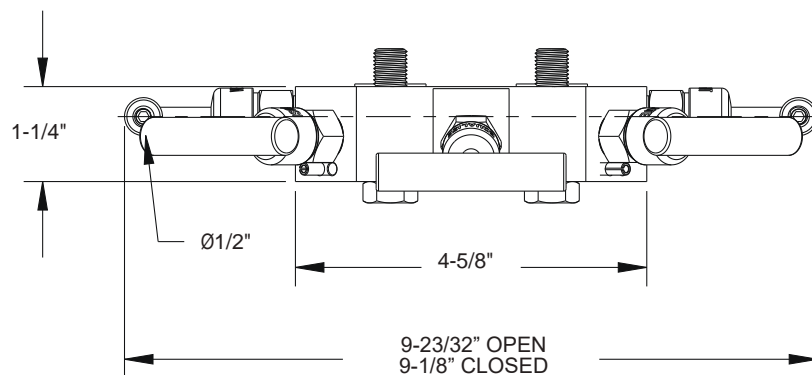
Bottom View



Top View



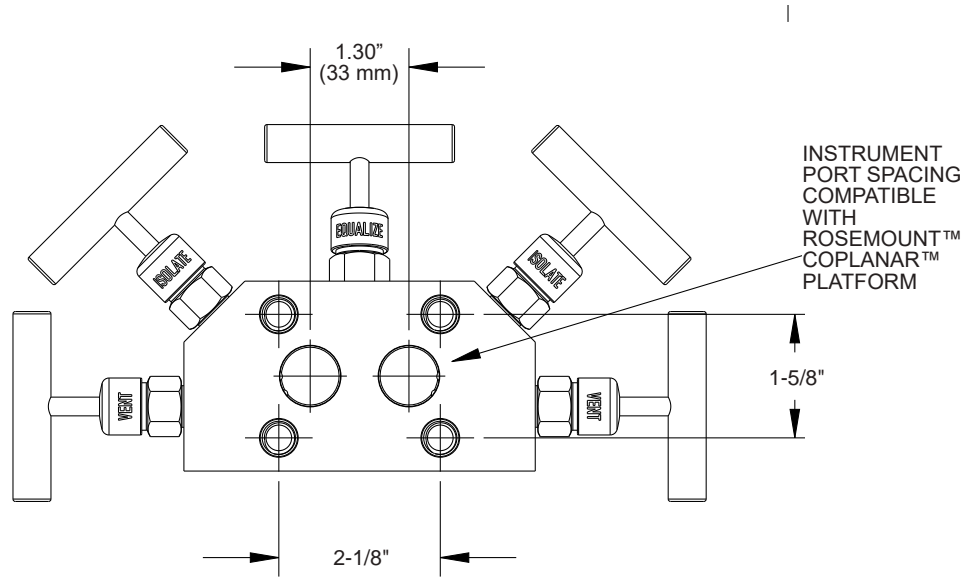
Front View



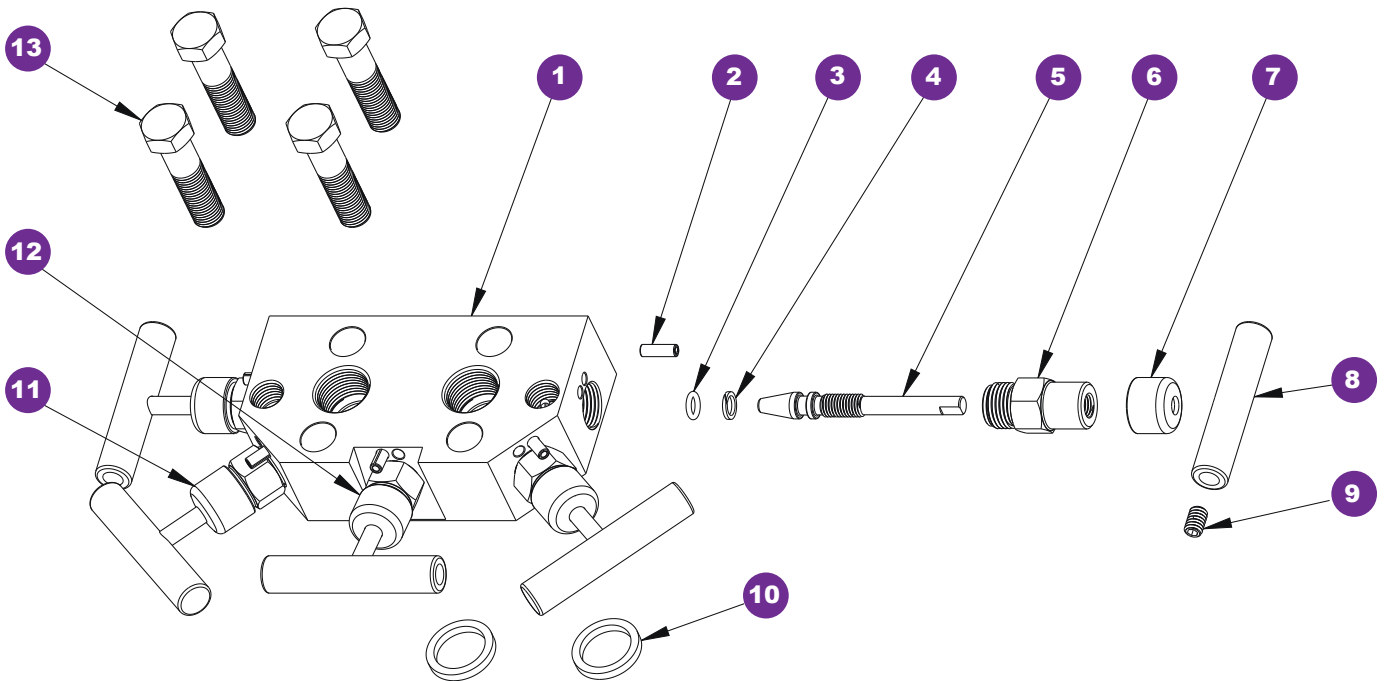
Flange-Female Power Pattern Coplanar™ Spacing

Note: All dimensions are the same as the SP-99 spacing except for the top view shown below.

Top View



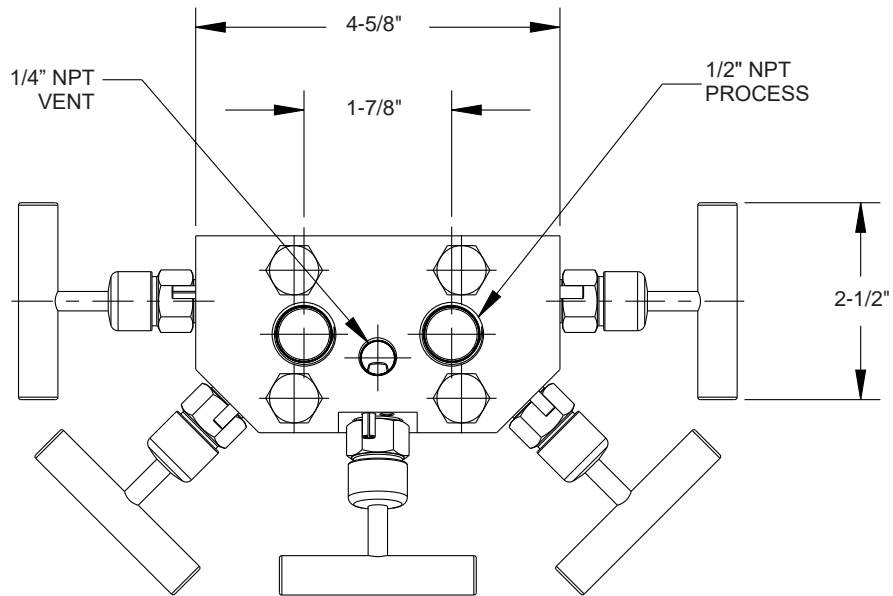
Flange-Female Power Pattern



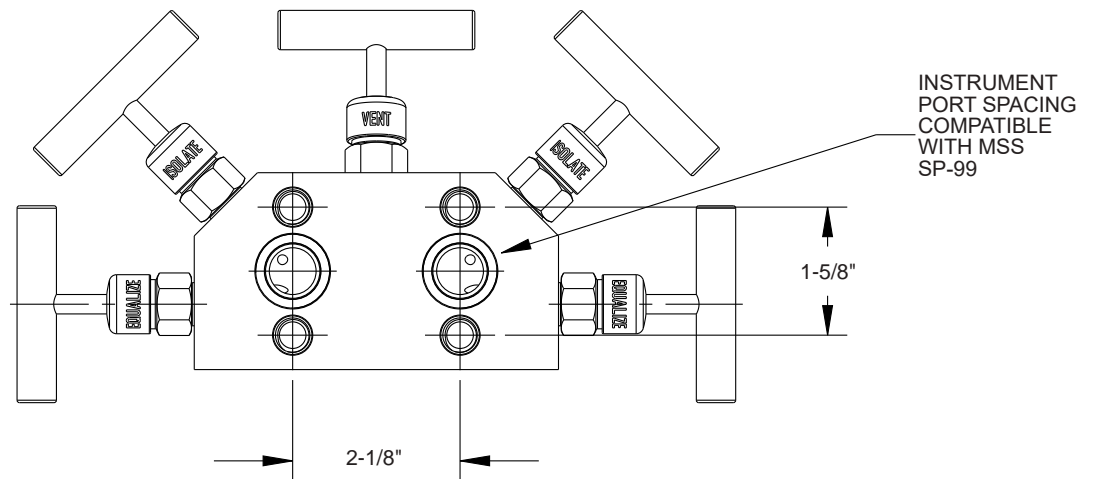
- | | |
|----------------------|--------------------|
| 1 Valve body | 8 Valve "T" handle |
| 2 Slotted spring pin | 9 Set screw |
| 3 FKM o-ring | 10 Gasket ring |
| 4 PTFE back-up ring | 11 Blue dust cap |
| 5 Valve stem | 12 Green dust cap |
| 6 Valve bonnet | 13 Head bolt |
| 7 Red dust cap | |

Flange-Female Natural Gas Flow MSS SP-99 Spacing

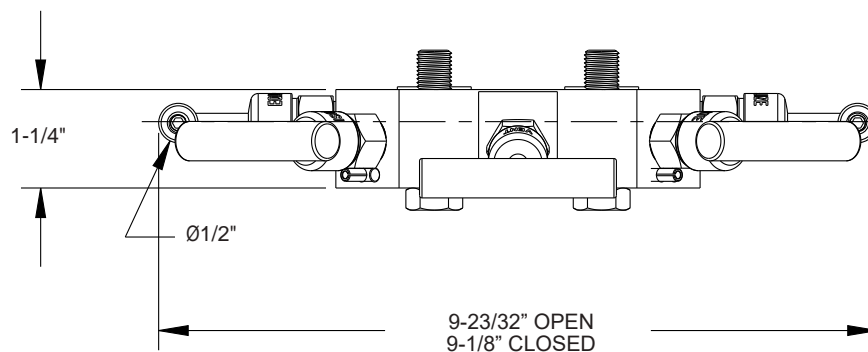
Bottom View



Top View



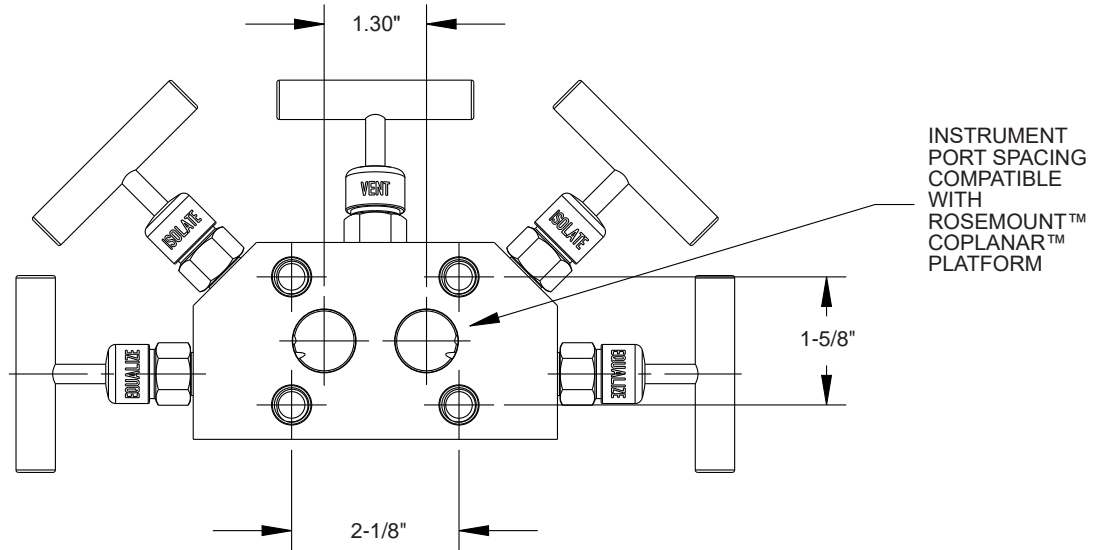
Front View



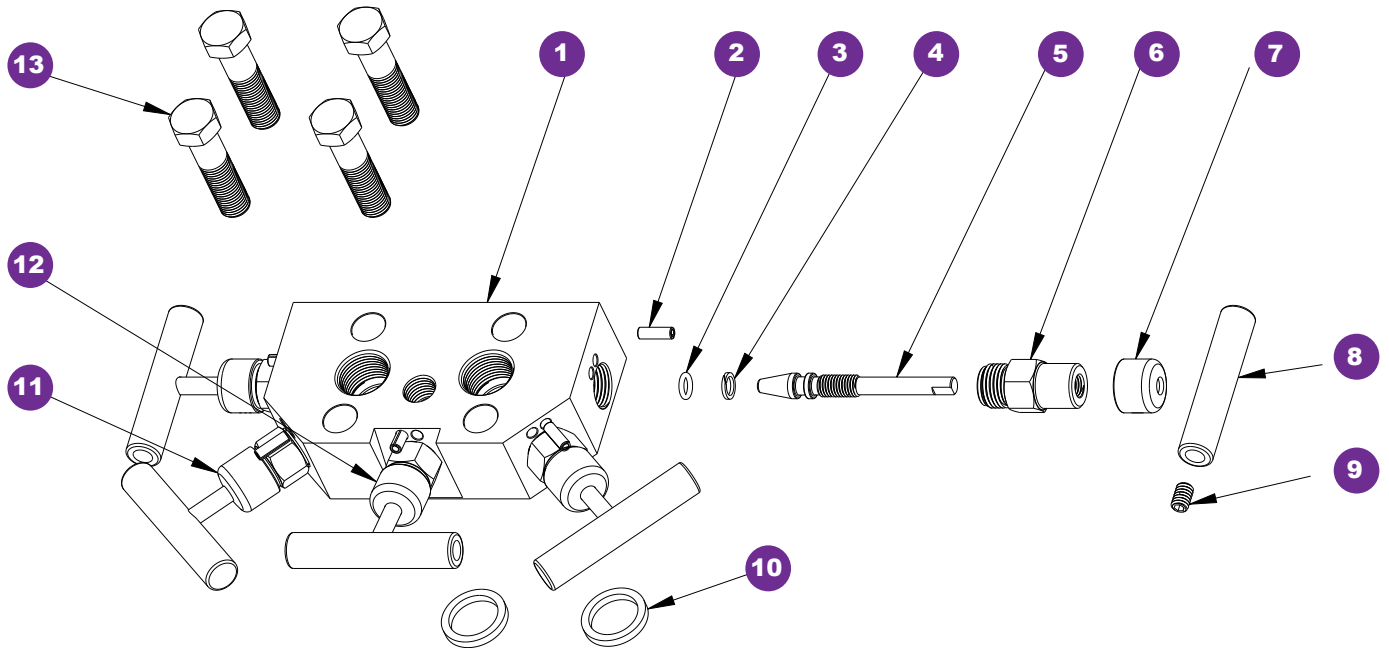
Flange-Female Natural Gas Flow Coplanar™ Spacing

Note: All dimensions are the same as the SP-99 spacing except for the top view shown below.

Top View



Flange-Female Natural Gas



- | | |
|----------------------|--------------------|
| 1 Valve body | 8 Valve "T" handle |
| 2 Slotted spring pin | 9 Set screw |
| 3 FKM o-ring | 10 Gasket ring |
| 4 PTFE back-up ring | 11 Blue dust cap |
| 5 Valve stem | 12 Red dust cap |
| 6 Valve bonnet | 13 Head bolt |
| 7 Green dust cap | |