

## General Spare parts

Lithium 3xAA-Cell batteries

SPB03: Battery with retrofit battery clamp (XX)



SPB02



SPC02



SPC03: Battery with retrofit battery clamp (XI)



## Ordering information

### Batteries

<b>SPB02</b>	PB - Lithium battery 3xAA-cell - long life time. For safe area applications (F-Series & D-Series) or explosion proof applications (E-Series).
<b>SPB03</b>	PB - Lithium battery 3xAA-cel - long life time. For safe area applications (XX). With retrofit battery clamp <b>for installed FO-Series.</b>
<b>SPB04</b>	Single AA-cell Lithium battery, for the B-Series.
<b>SPC02</b>	PC - FW-LiBat-021 Lithium 3xAA-cell battery - long life time. Intrinsically Safe (F-Series).
<b>SPC03</b>	PC - FW-LiBat-021 Lithium 3xAA-cell battery - long life time. Intrinsically Safe (XI). With retrofit battery clamp <b>for installed FO-Series.</b>

### Various spare parts

<b>STC01</b>	Set of terminal connectors Specify: product series, model, serial number and terminal coding.
<b>SFU01</b>	Set of fuses for the F-Series & D-Series (10 pcs.).
<b>SFS01</b>	Fluidwell logo stickers for front casing. Specify: product series (10 pcs.). Own branding labels on request.

## Cable glands & Blind plugs

### Cable glands



### Technical specification

#### Polyamide Cable glands

<b>Ambient Ta</b>	-40°C to +100°C (-40°F to +212°F).
<b>Cable diameter</b>	M12: 3 - 6,5 mm (0.12 - 0.26") M16: 4 - 8 mm (0.16 - 0.31") M20: 6 - 12 mm (0.24 - 0.47") PG9: 4 - 8 mm (0.16 - 0.31") 1/2" NPT: 6 - 12 mm (0.24 - 0.47")

#### Brass nickel-plated Cable glands

<b>Ambient Ta</b>	-40°C to +100°C (-40°F to +212°F).
<b>Cable diameter</b>	M12: 2 - 5 mm (0.08 - 0.20") M16: 3 - 7 mm (0.12 - 0.28") M20: 7 - 12 mm (0.28 - 0.47") PG9: 4 - 8 mm (0.16 - 0.31") 1/2" NPT: 6 - 12 mm (0.24 - 0.47")

### Ordering information

#### Polyamide Cable glands

<b>AGP01</b>	M12x1,5 incl. O-ring, locknut and dome plug.
<b>AGP02</b>	M16x1,5 incl. O-ring, locknut and dome plug.
<b>AGP03</b>	M20x1,5 incl. O-ring, locknut and dome plug.
<b>AGP04</b>	PG9 incl. O-ring, locknut and dome plug.
<b>AGP05</b>	1/2" NPT incl. O-ring, locknut and dome plug.

#### Brass nickel-plated Cable glands (EMC-compatible)

<b>AGB01</b>	M12x1,5 incl. O-ring and dome plug.
<b>AGB02</b>	M16x1,5 incl. O-ring and dome plug.
<b>AGB03</b>	M20x1,5incl. O-ring and dome plug.
<b>AGB04</b>	PG9 incl. O-ring and dome plug.
<b>AGB05</b>	1/2" NPT incl. O-ring and dome plug.

### Blind plugs & Breather valve



### Technical specification

#### Polyamide Blind plugs

<b>Ambient Ta</b>	-20°C to +80°C (-4°F to +176°F).
-------------------	----------------------------------

#### Brass nickel-plated Blind plugs

<b>Ambient Ta</b>	-40°C to +80°C (-40°F to +176°F).
-------------------	-----------------------------------

#### Breather valve

<b>Ambient Ta</b>	-40°C to +100°C (-40°F to +212°F).
-------------------	------------------------------------

Note: Not suitable for explosion proof applications.

### Ordering information

#### Polyamide Blind plugs

<b>ABP01</b>	M12x1,5 incl. O-ring and locknut.
<b>ABP02</b>	M16x1,5 incl. O-ring and locknut.
<b>ABP03</b>	M20x1,5 incl. O-ring and locknut.
<b>ABP04</b>	PG9 incl. O-ring and locknut.

#### Brass nickel-plated Blind plugs

<b>ABB08</b>	M12x1,5 incl. O-ring.
<b>ABB09</b>	M16x1,5 incl. O-ring.
<b>ABB10</b>	M20x1,5incl. O-ring.
<b>ABB11</b>	PG9 incl. O-ring.
<b>ABB12</b>	1/2" NPT incl. O-ring.

#### Breather valve

<b>ABV01</b>	Protective vent / Breather valve M12x1,5 incl. O-ring and Brass nickel-plated M16x1,5 reducer incl. O-ring.
--------------	---

Usage: We advise to use metal glands / plugs for metal enclosures and polyamide glands / plugs for GRP enclosures.

## B-Series Accessories

*ACE02: Basic remote configuration cable*



*ACE06: Remote configuration cable B-Connected*



*SBB01: GRP B-Series back cover, IP65 (Type4)*



*SBF01: GRP B-Series front cover*



### Ordering information

#### Remote configuration accessories

<b>ACE02</b>	Remote configuration cable (1.8m/5.9ft), for B-Basic, B-Alert, B-Smart & B-in-Control..
<b>ACE06</b>	Remote configuration cable (1.8m/5.9ft), for B-Connected.

*SPB04: AA-cell Lithium battery, for the B-Series*



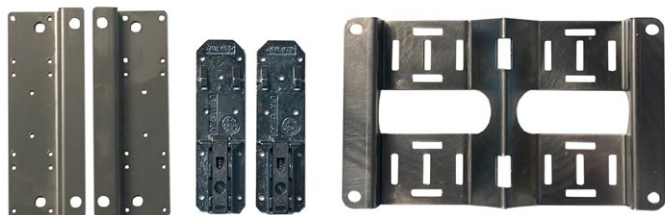
### Ordering information

#### B-Series Accessories & spare parts

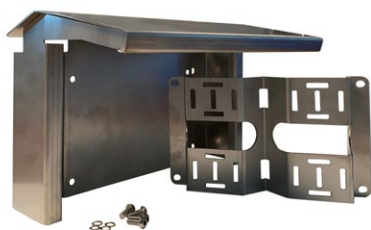
<b>SBB01</b>	GRP B-Series back cover, IP65 (Type4).
<b>SBF01</b>	GRP B-Series front cover with "select / clear" keypad, with Fluidwell brand.
<b>SBF02</b>	GRP B-Series front cover with "start / stop" keypad, with Fluidwell brand.
<b>SBF03</b>	GRP B-Series front cover with "select / clear" keypad, without branding.
<b>SBF04</b>	GRP B-Series front cover with "start / stop" keypad, without branding.
<b>SPB04</b>	Single AA-cell Lithium battery, for the B-Series.

# C-Series Accessories

AMC01/02/03: Wall , Pipe or DIN rail mounting kit



AMC04/05: Sun shed (wall or pipe mounting)



## Ordering information

### C-Series Mounting accessories

<b>AMC01</b>	C-Series Stainless steel 304 wall mounting kit
<b>AMC02</b>	C-Series Stainless steel 304 pipe mounting kit (worm gear clamps not included).
<b>AMC03</b>	C-Series Stainless steel 304 DIN rail mounting kit.
<b>AMC04</b>	C-Series Stainless steel 304 protective sun & rain shed with wall mounting kit
<b>AMC05</b>	C-Series Stainless steel 304 protective sun & rain shed with pipe mounting kit (worm gear clamps not included).
<b>ACF06</b>	Two stainless steel worm gear clamps. D=44-56mm (1.73"-2.20")
<b>ACF07</b>	Two stainless steel worm gear clamps. D=58-75mm (2.29"-2.95")
<b>ACF08</b>	Two stainless steel worm gear clamps. D=77-95mm (3.04"-3.74")
<b>ACF09</b>	Two stainless steel worm gear clamps. D=106-138mm (4.18"-5.43")

Brass nickel-plated Glands & Plugs



## Technical specification

### Brass nickel-plated Cable glands

<b>Ambiant Ta</b>	-40°C to +100°C (-40°F to +212°F).
<b>Cable diameter</b>	M16: 3 - 7 mm (0.12 - 0.28") M20: 7 - 12 mm (0.28 - 0.47") 1/2" NPT: 6 - 12 mm (0.24 - 0.47")

### Brass nickel-plated Blind plugs

<b>Ambiant Ta</b>	-40°C to +80°C (-40°F to +176°F).
-------------------	-----------------------------------

### Breather valve

<b>Ambiant Ta</b>	-40°C to +100°C (-40°F to +212°F).
-------------------	------------------------------------

Note: Not suitable for explosion proof applications.

## Ordering information

### Brass nickel-plated Cable glands (EMC-compatible)

<b>AGB02</b>	M16x1,5 incl. O-ring and dome plug.
<b>AGB03</b>	M20x1,5incl. O-ring and dome plug.
<b>AGB05</b>	1/2" NPT incl. O-ring and dome plug.
<b>AGB06</b>	8 x M16x1,5 and 2 x M20x1,5 incl. O-rings and dome plugs.
<b>AGB07</b>	4 x 1/2" NPT incl. O-rings and dome plugs.

### Brass nickel-plated Blind plugs

<b>ABB09</b>	M16x1,5 incl. O-ring.
<b>ABB10</b>	M20x1,5incl. O-ring.
<b>ABB12</b>	1/2" NPT incl. O-ring.

### Breather valve

<b>ABV01</b>	Protective vent / Breather valve M12x1,5 incl. O-ring and Brass nickel-plated M16x1,5 reducer incl. O-ring.
--------------	---

# D-Series Spare parts

*SDF01/SDF02: Front cover*



*SPB02: Battery*



## Ordering information

### D-Series Front covers

<b>SDF01</b>	Aluminum D-Series frontcover with "select / clear" keypad, including gasket.
<b>SDF02</b>	Aluminum D-Series frontcover with "start / stop" keypad, including gasket.

## Ordering information

### D-Series Spare parts

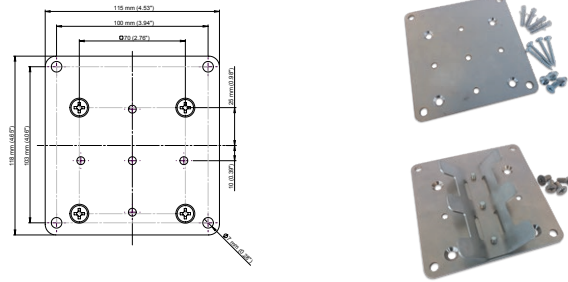
<b>SDN01</b>	D-Series mounting kit: 4 brackets, 8 screws and 1 gasket.
<b>SFU01</b>	Set of fuses for the F-Series & D-Series (10 pcs.)
<b>SPB02</b>	PB - Lithium battery 3xAA-cell - long life time.

# E-Series Accessories

*ACE01: USB data logging and configuration cable*



*ACE03/04: Stainless steel wall / pipe mounting kit*



*ACE02: Remote configuration cable for option CX*



*ACE05: Cable with Amphenol connector*



## Ordering information

### General E-Series accessories

<b>ACE01</b>	Remote configuration and data log cable (2.0m/6.7ft) for option CU - Mini USB to USB.
<b>ACE02</b>	Remote configuration cable (1.8m/5.9ft), for option CX to USB.
<b>ACE03</b>	Stainless steel wall mounting kit (inc. screws+plugs).
<b>ACE04</b>	Stainless steel pipe mounting kit, (worm gear clamps not included, see ACF06 - ACF09).
<b>ACE05</b>	Shielded, two pins, 30cm (12") cable with Amphenol connector for turbine flowmeters.
<b>ACE06</b>	Remote configuration cable (1.8m/5.9ft), for option CH - RS485 Communication to USB.
<b>ACE07</b>	Remote configuration cable (1.8m/5.9ft), for option CB - RS232 Communication to USB.
<b>ACE08</b>	Internal E-Series USB cable for option CU and HAA, HAB.
<b>ACE09</b>	Internal E-Series USB cable for option CU and HSA, HSB.
<b>ACE10</b>	Internal E-Series USB cable for option CU and HAH.
<b>ACE11</b>	Internal E-Series USB cable for option CU and HSH.

*ACE06/07: Remote configuration cable RS485/RS232*



## Ordering information

### E-Series Spare parts

<b>SES01</b>	Basic Supply Module for the E-Series. With battery connector and flatcable to the Main Electronics Module, without battery (SPB02) or relays.
<b>SES02</b>	Relay Supply Module for the E-Series. With two relays, battery connector and flatcable to the main Electronics Module, without battery (SPB02)
<b>SPB02</b>	PB - Lithium battery 3xAA-cell - long life time.

# E-Series Blind plugs

ABS01/05: Stainless steel blind plugs



ABB01/05: Brass nickel plated blind plugs



## Technical specification

### Certification

<b>ATEX</b>	I M2 Ex db I Mb / Ex eb I Mb. II 2G Ex db IIC Gb / Ex eb IIC Gb. II 1D Ex ta IIIC Da. II 3G Ex nR IIC Gc.
<b>IECEX</b>	Ex db I Mb / Ex eb I Mb. Ex db IIC Gb / Ex eb IIC Gb. Ex nR IIC Gc. Ex ta IIIC Da.
<b>CSA</b>	Class I, Division 1 Groups A, B, C and D; Class II, Division 1 Groups E, F and G. Class III, Type 4X and 6P. Class I Zone 1 AEx db IIC Gb. Class I Zone 1 AEx eb IIC Gb. Class II Zone 20 AEx ta IIIC Da. IP66/68.

### Certificate no.

<b>ATEX</b>	CML 19ATEX1089X & CML 19ATEX4092X.
<b>IECEX</b>	IECEX CML 19.0022X.
<b>CSA</b>	2310046

### General

<b>IP rating</b>	IP66 & 68 / Type4X 6P.
<i>Ambient Ta</i>	-40°C to +70°C (-40°F to +158°F).

## Ordering information

### Brass nickel plated blind plugs

<b>ABB01</b>	Blind plug M20 Brass Nickel Plated.
<b>ABB02</b>	Blind plug M25 Brass Nickel Plated.
<b>ABB03</b>	Blind plug 1/2" NPT Brass Nickel Plated.
<b>ABB04</b>	Blind plug 3/4" NPT Brass Nickel Plated.
<b>ABB05</b>	Blind plug 1" NPT Brass Nickel Plated.
<b>ABB06</b>	Blind plug + reducer M25 Brass Nickel Plated for option CU - USB communication.
<b>ABB07</b>	Blind plug + reducer 3/4" NPT Brass Nickel Plated for option CU - USB communication.

### Stainless steel blind plugs

<b>ABS01</b>	Blind plug M20 Stainless Steel.
<b>ABS02</b>	Blind plug M25 Stainless Steel.
<b>ABS03</b>	Blind plug 1/2" NPT Stainless Steel.
<b>ABS04</b>	Blind plug 3/4" NPT Stainless Steel.
<b>ABS05</b>	Blind plug 1" NPT Stainless Steel.
<b>ABS06</b>	Blind plug + reducer M25 Stainless Steel for option CU - USB communication.
<b>ABS07</b>	Blind plug + reducer 3/4" NPT Stainless Steel for option CU - USB communication.

# E-Series Reducers

ARS01/04: Stainless steel reducer



ARB01/04: Brass nickel plated reducer



## Technical specification

### Certification

<b>ATEX</b>	I M2 Ex db I Mb / Ex eb I Mb. II 2G Ex db IIC Gb / Ex eb IIC Gb. II 1D Ex ta IIIC Da. II 3G Ex nR IIC Gc.
<b>IECEX</b>	Ex db I Mb / Ex eb I Mb. Ex db IIC Gb / Ex eb IIC Gb. Ex nR IIC Gc. Ex ta IIIC Da.
<b>CSA</b>	Class I, Division 1 Groups A, B, C and D; Class II, Division 1 Groups E, F and G. Class III, Type 4X and 6P. Class I Zone 1 AEx db IIC Gb. Class I Zone 1 AEx eb IIC Gb. Class II Zone 20 AEx ta IIIC Da. IP66/68.

### Certificate no.

<b>ATEX</b>	CML 19ATEX1090X & CML 19ATEX4092X.
<b>IECEX</b>	IECEX CML 19.0022X.
<b>CSA</b>	2310046

### General

<b>IP rating</b>	IP66 & 68 / Type4X 6P.
<i>Ambient Ta</i>	-40°C to +70°C (-40°F to +158°F).

## Ordering information

### Brass nickel plated reducers

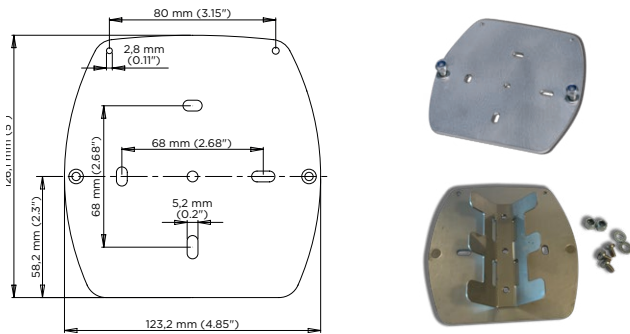
<b>ARB01</b>	Reducer 1" NPT to 3/4" NPT Brass Nickel Plated.
<b>ARB02</b>	Reducer 1" NPT to 1/2" NPT Brass Nickel Plated.
<b>ARB03</b>	Reducer 3/4" NPT to 1/2" NPT Brass Nickel Plated.
<b>ARB04</b>	Reducer M25 to M20 Brass Nickel Plated.
<b>ARB05</b>	Reducer 3/4" NPT to M20 Brass Nickel Plated.
<b>ARB06</b>	Reducer M25 to 1" NPT Brass Nickel Plated.

### Stainless steel reducers

<b>ARS01</b>	Reducer 1" NPT to 3/4" NPT Stainless Steel.
<b>ARS02</b>	Reducer 1" NPT to 1/2" NPT Stainless Steel.
<b>ARS03</b>	Reducer 3/4" NPT to 1/2" NPT Stainless Steel.
<b>ARS04</b>	Reducer M25 to M20 Stainless Steel.
<b>ARS05</b>	Reducer 3/4" NPT to M20 Stainless Steel.
<b>ARS06</b>	Reducer M25 to 1" NPT Stainless Steel.

## F-Series Accessories

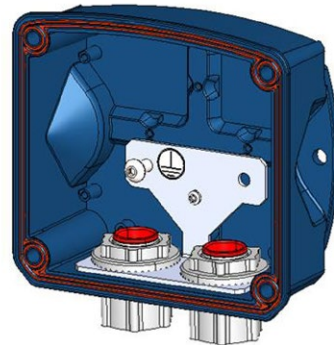
*ACF02/ACF05: Mounting accessories*



*ACF11: Swivel for direct flowmeter mounting*



*ACF12: Earthing plate for HGL/HGT enclosure*



*Intrinsically safe isolators*



### Ordering information

#### F-Series Mounting accessories

<b>ACF02</b>	Stainless steel wall mounting kit. (incl. screws and plugs)
<b>ACF05</b>	Stainless steel pipe mounting kit. (worm gear clamps NOT included)
<b>ACF06</b>	Two stainless steel worm gear clamps. D=44-56mm (1.73"-2.20")
<b>ACF07</b>	Two stainless steel worm gear clamps. D=58-75mm (2.29"-2.95")
<b>ACF08</b>	Two stainless steel worm gear clamps. D=77-95mm (3.04"-3.74")
<b>ACF09</b>	Two stainless steel worm gear clamps. D=106-138mm (4.18"-5.43")
<b>ACF11</b>	Swivel with 25° movement from center axis for direct flowmeter mounting: 1" NPT to 1/2" NPT
<b>ACF12</b>	Stainless steel plate for conduit hub earthing in plastic HGL/HGT enclosure, without conduit hub.

### Ordering information

#### Intrinsically safe isolators

<b>ACG01</b>	MTL5511 - I.S. one channel switch output > mechanic relay.
<b>ACG02</b>	MTL5525 - I.S. power supply
<b>ACG03</b>	MTL5541 - I.S. 4-20mA repeater to safe area.
<b>ACG04</b>	MTL5051- I.S. serial comm. isolator for TTL > RS422/232
<b>ACG05</b>	MTL5516C - I.S. two channel switch output > mechanic relay.
<b>ACG06</b>	MTL5513 - I.S. two channel switch output > floating solid state.
<b>ACG07</b>	MTL5546 - 4-20mA isolator from safe to hazardous area.
<b>ACG08</b>	MTL5541AS - I.S. 4-20mA repeater for HART communication to safe area, with current sink for safe area connection.
<b>ACG09</b>	MTL7787+ - I.S. digital (on/off) zener diode barrier.

# F-Series Enclosures

## Back cover F Series



## Front covers F-Series



## Ordering information

### F-Series Front covers

<b>SFF01</b>	Aluminum F-Series front cover with "select / clear" keypad, including gasket.
<b>SFF02</b>	Aluminum F-Series front cover with "start / stop" keypad, including gasket.
<b>SFF03</b>	Aluminum F-Series front cover with "arrows" keypad, including gasket.
<b>SFF04</b>	GRP F-Series front cover with "select / clear" keypad, including gasket.
<b>SFF05</b>	GRP F-Series front cover with "start / stop" keypad, including gasket.
<b>SFF06</b>	GRP F-Series front cover with "arrows" keypad, including gasket.
<b>SFF07</b>	Stainless steel 316L F-Series frontcover with "select / clear" keypad, including gasket.
<b>SFF08</b>	Stainless steel 316L F-Series frontcover with "start / stop" keypad, including gasket.
<b>SFF09</b>	Stainless steel 316L F-Series frontcover with "arrows" keypad, including gasket.

## Ordering information

### F-Series Back cover

<b>SFB01</b>	Aluminum field enclosure HA - IP67 / Type4X Drilling: 2 x PG9 + 1 x M20.
<b>SFB02</b>	Aluminum field enclosure HM - IP67 / Type4X Drilling: 2 x M16 + 1 X M20.
<b>SFB03</b>	Aluminum field enclosure HN - IP67 / Type4X Drilling: 1 x M20.
<b>SFB04</b>	Aluminum field enclosure HO - IP67 / Type4X Drilling: 2 x M20.
<b>SFB05</b>	Aluminum field enclosure HP - IP67 / Type4X Drilling: 6 x M12
<b>SFB06</b>	Aluminum field enclosure HT - IP67 / Type4X Drilling: 1 x 1/2" NPT.
<b>SFB07</b>	Aluminum field enclosure HU - IP67 / Type4X Drilling: 3 x 1/2" NPT
<b>SFB08</b>	Aluminum field enclosure HV - IP67 / Type4X Drilling: 4 X M20.
<b>SFB09</b>	Aluminum field enclosure HZ - IP67 / Type4X No holes
<b>SFB10</b>	GRP field enclosure HD - IP67 / Type4X No holes.
<b>SFB11</b>	GRP field enclosure HE - IP67 / Type4X Drilling: 2 x 16mm (0,63") + 1 x 20mm (0,79").
<b>SFB12</b>	GRP field enclosure HDA - IP67 / Type4X Drilling: 1 x 22mm (0,87").
<b>SFB13</b>	GRP field enclosure HD - IP67 / Type4X Drilling: 2 x 20mm (0,79").
<b>SFB14</b>	GRP field enclosure HD - IP67 / Type4X Drilling: 6 x 12mm (0,47").
<b>SFB15</b>	GRP field enclosure HD - IP67 / Type4X Drilling: 3 x 22mm (0,87").
<b>SFB16</b>	GRP FLAT BACK field enclosure HK - IP67 / Type4X No holes.
<b>SFB17</b>	Aluminum field enclosure HL - IP67 / Type4X Drilling: 2 x 1/2" NPT.
<b>SFB18</b>	Extended Aluminum field enclosure HBM - IP67 / NEMA 4X - Drilling: 2 x M16 + 1 x M20.
<b>SFB19</b>	Extended Aluminum field enclosure HBO - IP67 / NEMA 4X - Drilling: 2 x M20.
<b>SFB20</b>	Extended Aluminum field enclosure HBU - IP67 / NEMA 4X - Drilling: 3 x 1/2" NPT.
<b>SFB21</b>	Stainless steel 316L field enclosure HSM - IP67 / NEMA 4X - Drilling: 2 x M16 + 1 x M20.
<b>SFB22</b>	Stainless steel 316L field enclosure HSO - IP67 / NEMA 4X - Drilling: 2 x M20.
<b>SFB23</b>	Stainless steel 316L field enclosure HSU - IP67 / NEMA 4X - Drilling: 3 x 1/2" NPT.
<b>SFB24</b>	Aluminum field enclosure HP - IP67 / Type4X Drilling: 2 x Ø 16mm & 3 x Ø 12mm.

# F-Series Polyamide cable gland & blind plug kits

## Cable glands



Ambiant Ta -40°C to +100°C (-40°F to +212°F).

## Ordering information

### F-Series Cable glands kits

<b>ACF20</b>	Polyamide cable glands for HA: 2 x PG9, 1 x M20 incl. O-rings.
<b>ACF25</b>	Polyamide cable glands for HE: 2 x M16, 1 x M20 incl. locknut and O-rings.
<b>ACF26</b>	Polyamide cable glands for HF: 1 x M20 incl. locknut and O-ring.
<b>ACF27</b>	Polyamide cable glands for HG: 2 x M20 incl. locknuts and O-rings.
<b>ACF28</b>	Polyamide cable glands for HH: 6 x M12 incl. locknuts and O-rings.
<b>ACF29</b>	Polyamide cable glands for HJ: 3x M20 incl. locknuts and O-rings..
<b>ACF31</b>	Polyamide cable glands for HL: 2 x 1/2" NPT incl. O-rings.
<b>ACF32</b>	Polyamide cable glands for HM/HBM/HSM: 2 x M16, 1 x M20 incl. O-ring.
<b>ACF33</b>	Polyamide cable glands for HN: 1 x M20 incl. O-ring.
<b>ACF34</b>	Polyamide cable glands for HO/HBO/HSO: 2 x M20 incl. O-rings.
<b>ACF35</b>	Polyamide cable glands for HP: 6 x M12 incl. O-rings.
<b>ACF39</b>	Polyamide cable glands for HT: 1 x 1/2" NPT incl. O-Ring.
<b>ACF40</b>	Polyamide cable glands for HU/HBU/HSU: 3 . x 1/2" NPT incl. O-Rings.
<b>ACF41</b>	Polyamide cable glands for HV: 4 x M20 incl. O-rings.

<b>Cable diameter</b>	M12: 3 - 6,5 mm (0.12 - 0.26")
	M16: 4 - 8 mm (0.16 - 0.31")
	M20: 6 - 12 mm (0.24 - 0.47")
	PG9: 4 - 8 mm (0.16 - 0.31")
	1/2" NPT: 6 - 12 mm (0.24 - 0.47")

## Blind plugs



Ambiant Ta -20°C to +80°C (-4°F to +176°F).

## Ordering information

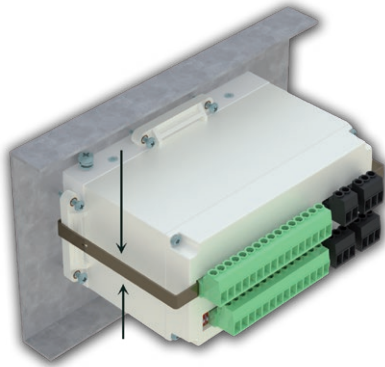
### F-Series Blind plugs kits

<b>ACF50</b>	Polyamide blind plugs for HA: 2 x PG9, 1 x M20 incl. O-rings.
<b>ACF55</b>	Polyamide blind plugs for HE: 2 x M16, 1 x M20 incl. locknut and O-rings.
<b>ACF56</b>	Polyamide blind plugs for HF: 1 x M20 incl. locknut and O-ring.
<b>ACF57</b>	Polyamide blind plugs for HG: 2 x M20 incl. locknuts and O-rings.
<b>ACF58</b>	Polyamide blind plugs for HH: 6 x M12 incl. locknuts and O-rings.
<b>ACF59</b>	Polyamide blind plugs for HJ: 3x M20 incl. locknuts and O-rings..
<b>ACF61</b>	Polyamide blind plugs for HL: 2 x 1/2" NPT incl. O-rings.
<b>ACF62</b>	Polyamide blind plugs for HM/HBM/HSM: 2 x M16, 1 x M20 incl. O-ring.
<b>ACF63</b>	Polyamide blind plugs for HN: 1 x M20 incl. O-ring.
<b>ACF64</b>	Polyamide blind plugs for HO/HBO/HSO: 2 x M20 incl. O-rings.
<b>ACF65</b>	Polyamide blind plugs for HP: 6 x M12 incl. O-rings.
<b>ACF69</b>	Polyamide blind plugs for HT: 1 x 1/2" NPT incl. O-Ring.
<b>ACF70</b>	Polyamide blind plugs for HU/HBU/HSU: 3 . x 1/2" NPT incl. O-Rings.
<b>ACF71</b>	Polyamide blind plugs for HV: 4 x M20 incl. O-rings.

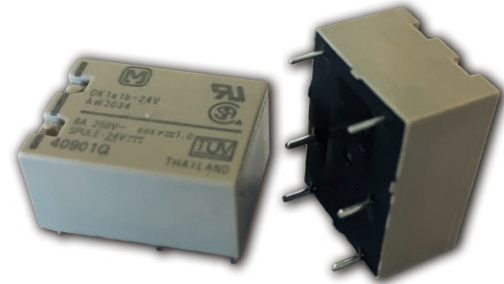
Usage: We advise to use metal glands / plugs for metal enclosures and polyamide glands/plugs for GRP enclosures.

## N-Series Accessories

*ACN01: Shock proof mounting brackets*



*SRN01: Spare part - field replaceable relays (2pcs)*



*SNF01: Spare part - Aluminum N-Series front cover*



### Ordering information

#### N-Series Accessories & spare parts

<b>ACN01</b>	Shock proof stainless steel mounting brackets (2pcs).
<b>SDN01</b>	N-Series mounting kit: 4 brackets, 8 screws and 1 gasket.
<b>SRN01</b>	Spare part: Set of field replaceable, mechanical make-and-break (NO-NC) relays (2pcs). Max. switching capacity (resistive load): 8A@250VAC/30VDC Max. switching power (resistive load): 2000VA 240W
<b>SNF01</b>	Spare part: Aluminum N-Series front cover with numerical keypad, incl. gasket.

## Printer accessories

ACP01 / ACP04: Thermal, portable / compact printer

ACP02 / ACP03: Thermal panel mount printer



- User-friendly portable printer with single-handed paper-load system.
- High speed and high quality printing mechanism with superb text quality.
- Suitable for the F132, N413 and N414 batch controllers.

### Specifications

<b>Data Input</b>	RS-232 Serial
<b>Data Buffer</b>	20 KB
<b>Baud Rate</b>	Up to 57,600 (9600 Default)
<b>Print Method</b>	Fixed head thermal mechanism
<b>Print Width</b>	48 mm
<b>Dot spacing</b>	8 dots/mm (vertical and horizontal)
<b>Dots per line</b>	384
<b>Font (dots)</b>	7 x 24 / 10 x 24
<b>Paper roll length</b>	ACP01: 16 m ACP04: 38 m
<b>Power</b>	ACP01: Battery powered ACP04: 100 - 240V AC
<b>Dimensions</b>	ACP01: 47 x 92 x 108 mm (H x W x L) ACP04: 65 x 95 x 128 mm (H x W x L)
<b>Weight</b>	ACP01: 330 gr (including battery and full roll of paper) ACP04: 320 gr (including full roll of paper)
<b>Temperature</b>	Ambient 0 - 50°C (32 - 122°F)

### Ordering information

<b>ACP01</b>	Ap 1300 - Thermal portable printer (incl. cables and battery charger).
<b>ACP04</b>	Ap 1310DP - Thermal mains powered compact printer with large paper capacity (incl. cables).



- Robust design which is suitable for both vertical and horizontal panel mounting.
- Increased usability with expanded reporting for 'head up' and 'paper out' errors.
- Suitable for the F132, N413 and N414 batch controllers.

### Specifications

<b>Data Input</b>	RS-232 Serial
<b>Data Buffer</b>	10 KB
<b>Baud Rate</b>	Up to 115,200 Baud (9600 Default)
<b>Print Method</b>	Fixed head thermal mechanism
<b>Print Width</b>	48 mm
<b>Dot spacing</b>	8 dots/mm (vertical and horizontal)
<b>Dots per line</b>	384
<b>Font (dots)</b>	8 x 16 / 7 x 24 / 10 x 24
<b>Paper roll length</b>	12 m
<b>Power</b>	9V DC to 36V DC
<b>Dimensions</b>	80 x 83 x 52mm (H x W x D)
<b>Panel cut-out</b>	75 x 75 mm ( W x D )
<b>Weight</b>	110 gr (without paper)
<b>Temperature</b>	Ambient 0 - 50°C (32 - 122°F)

### Ordering information

<b>ACP02</b>	Ap 1400 - Thermal panel printer with standard 9V DC to 36V DC power supply (incl. cables).
<b>ACP03</b>	Ap 1400 - Thermal panel printer with external 100 - 240V AC power supply (incl. cables).