

# GA-1 and GA-2

Monitoring systems  
for grease interceptors

- Protecting our environment
- Versatile device for basic requirements
- Robust
- Easy to install
- Remote monitoring capability
- Especially suitable for all kinds of grease interceptors



Measure your success

 **Labkotec**  
INDUTRADE GROUP

# GA-1 and GA-2

## for monitoring grease layer in grease interceptors

GA-1 and GA-2 monitoring devices are specially designed for grease interceptors. They indicate when it is time to empty the grease interceptor and thus prevent harmful grease emissions to the sewer system.



GA-1 Control panel



GA-2 Control panel



GA-SG1 Sensor



GA-HLL1 Sensor



Cable joints

## Technical data

### GA-1 and GA-2 control panels

**Dimensions:** 125 mm x 75 mm x 35 mm (L x H x D)  
4.92 in x 2.95 in x 1.38 in (L x H x D)

**Material:** Polycarbonate

**Enclosure:** IP65

**Operation temperature:** -30 °C...+50 °C  
-22 °F...+122 °F

**Supply voltage:** 115 V AC ± 10 % 50/60Hz  
The device is not equipped with a mains switch.  
Fuse maximum 10 A.

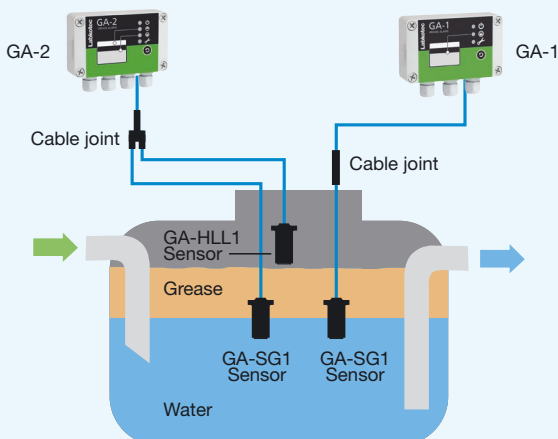
**Sensors:** GA-1: GA-SG1 sensor  
GA-2: GA-SG1 and GA-HLL1 sensors

**Relay outputs:** Potential-free relay output max. 5A 250 V AC / 30 V DC  
1 pcs for GA-1  
2 pcs for GA-2  
Operational delay 10 sec. Relay de-energize at trigger point.

**Electrical safety:** IEC/EN 61010-1, Class II □, CAT II  
UL 61010-1  
CAN/CSA-C 22.2 NO. 61010-1-12

**EMC:** IEC/EN 61000-6-3  
IEC/EN 61000-6-1

## Application



### GA-HLL1 and GA-SG1 sensors

**Principle of operation:** Measurement of capacitance

**Material:** POM, AISI 316

**Enclosure:** IP68

**Temperature:** Operation 0 °C...+90 °C / 32 °F...194 °F  
Environment -30 °C...+90 °C / -22 °F...+194 °F

**Cable:** PUR cable 2 x 0.75 mm<sup>2</sup>. Standard length 5 m / 16.4 ft, other lengths optional. The max. length of the fixed cable is 15 m / 49.2 ft. Can be extended up to 500 m / 1650 ft.

**EMC:** IEC/EN 61000-6-3  
IEC/EN 61000-6-1

Measure your success



[www.labkotec.com](http://www.labkotec.com)  
[www.labkonet.com](http://www.labkonet.com)



Labkotec Oy reserves the rights to alterations without prior notice. Due to policy of continuous improvement in R&D, technical specifications may change. Installation shall always be made as documented in manufacturer's instructions.

**Labkotec Oy**  
Myllyhaantie 6  
FI-33960 Pirkkala  
FINLAND  
Tel. int. +358 (0)29 006 260  
Fax int. +358 (0)29 006 260  
E-mail info@labkotec.fi

**Labkotec GmbH**  
Fördepromenade 8  
DE-24944 Flensburg  
GERMANY  
Tel. int. +49 (0)461 3154 1200  
Fax int. +49 (0)461 3154 1209  
E-mail info@labkotec.de

**Labkotec AB**  
Ekbacksvägen 28  
SE-168 69 Bromma  
SWEDEN  
Tel. int. +46 (0)8 130 060  
Fax int. +46 (0)8 555 36108  
E-mail info@labkotec.se