

Datasheet

Labcom 221 BAT

Labcom 221 BAT

Communication unit



Labcom 221 BAT is a battery-powered communication unit with GPS positioning. With the battery one can achieve over ten years of operating time, depending on the application. The device uses a 4G-based LTE-M / NB-IoT networks to transmit measurement and positioning data to the LabkoNet remote monitoring system.

The device is designed for remote monitoring of industry, water utilities and environmental care, and a wide range of measuring sensors can be used with Labcom 221 BAT.

Typical applications are stormwater measurements, remote monitoring of mobile tanks, various property alarms and other non-electrical measurement locations.

Features

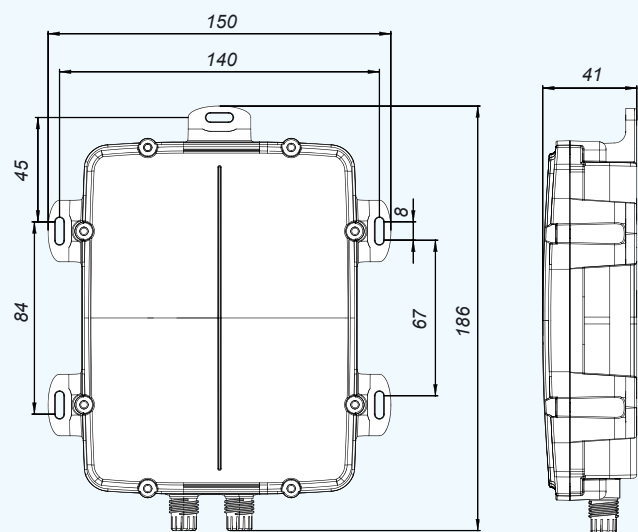
- Battery operated, batteries easily changed
- Support for various analog sensors and two digital outputs
- GPS positioning
- Internal temperature measurement

Technical data

Dimensions	186 mm x 150 mm x 41 mm
Enclosure	IP68, IK 08 (Impact protection) + with an external antenna IP67
Operating temperature	-30°C...+60°C
Power supply	2 pcs 3,6 V Lithium battery. Size D/LR20. Batteries easily changed
Antennas	GSM internal, external antenna as an option. GPS internal only.
Communication	LTE-M, NB-IoT, data encryption AES-256 and HTTPS
Positioning	GPS
Analog inputs(*)	1 pc 4...20 mA, resolution +/-10 µA
Digital input (*)	2 pcs 0...40 VDC input with alarm and counting features
Digital output (*)	1 pc digital output, max. 1 A, 40 VDC
Other inputs (*)	3,3/5/12 VDC power supply for external probes, SDI12, i2c, modbus, 1-wire, internal temperature measurement
GORE® Vent	Allows for pressure equalization while protecting against water and dust ingress
Cable glands	2 pcs. The diameter of the cable used should be between 2,5 mm - 6,5 mm.
Health and Safety	IEC 62368-1, EN 62368-1, EN 62311
EMC	EN 301 489-1, EN 301 489-3, EN 301 489-19, EN 301 489-52
Radio Spectrum	EN 301 511, EN 301 908 -1,
Efficiency	EN 301 908-13, EN 303 413
RoHS	EN IEC 63000

(*) depends on the device configuration

Dimensions (mm)



Labkotec Oy reserves the rights to alterations without prior notice