

Data sheet

idOil-30 3G

idOil®-30 3G oil separator alarm control unit



Fulfils
requirements
of EN 858-1&2
standards

idOil-30 3G is a control unit with integrated 3G module for oil separator alarm systems. It can be equipped with up to three any type of idOil sensors. With the idOil-30 3G and applicable Labkotec sensors following alarms can be monitored:

- High liquid level alarm, when the liquid level in the oil separator rises excessively e.g. in an outlet blockage situation.
- Oil layer thickness alarm, when the oil separator's full capacity for oil or petrol has been reached.
- Sludge layer thickness alarm, when the sludge layer in the bottom of the separator has reached its maximum level.
- Separator leakage alarm, when the liquid level drops unexpectedly.

In these situations, an integrated alarm buzzer will sound, the display will show the alarm information and the relay(s) will switch. In addition, idOil-30 3G sends alarms and timed measurements either directly to the user's phone as SMS messages or to the LabkoNet® server, from which the information can be distributed to other parties that need it.

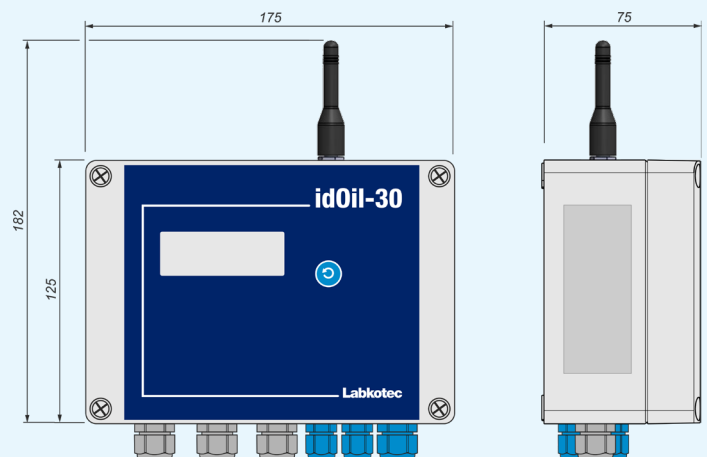
Features

- Multi supply voltage
- Selectable sensor combination with up to three sensors
- Polarity-free sensor connection
- Automatic sensor and sensor type detection
- Quick one touch commissioning
- Display for system status and alarm information
- Two fully configurable potential free relay outputs
- Alarm log
- 3G data transfer module and antenna
- Service and maintenance diary
- WLAN connection locally between control unit and laptop/tablet/smartphone to access the built in browser user interface for settings and configuration

Technical data

Mounting	Wall mounting
Enclosure material	Polycarbonate
Weight	900 g
IP classification	IP65
Display	4 line monochrome LCD
3G Module	UMTS/HSPA: 900/2100 MHz GSM: 900/1800 MHz
Ambient temperature	-30 °C...+60 °C
Supply voltage	100-240 V AC, 50/60 Hz
Supply power fuse	Max. 10 A
Power consumption	Max. 12 VA
Relay outputs	5 A, 250 V AC/30 V DC, 100 VA potential free changeover contacts, 2 pcs
EMC	IEC/EN 61000-6-2 IEC/EN 61000-6-3
Electrical safety	Class I, IEC/EN 61010-1, UL 61010-1 CAN/CSA-C 22.2 NO. 61010-1-12
Overvoltage category	II
Ex-classification	⊕II (1) G [Ex ia Ga] IIB ATEX, IECEx, UKEX
Exi interface values	$U_o = 14.5 \text{ V}$, $I_o = 78 \text{ mA}$, $P_o = 367 \text{ mW}$, $R = 243 \Omega$
Max values in IIB	$C_o = 4.0 \mu\text{F}$, $L_o = 16.7 \text{ mH}$
Compatible sensors	idOil-LIQ high liquid level sensor idOil-OIL oil sensor idOil-SLU sludge sensor
Accessories	LCJ1-1 cable connector for one sensor LCJ1-2 cable connector for two sensors LCJ1-3 cable connector for three sensors LMS-SAS5 mounting set for one sensor

Dimensions (mm)

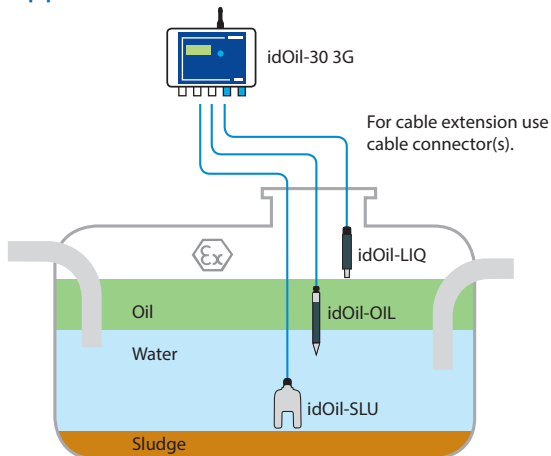


Labkotec Oy reserves the rights to alterations without prior notice.

Data sheet

idOil-30 3G

Application






Settings, configurations and information via browser user interface

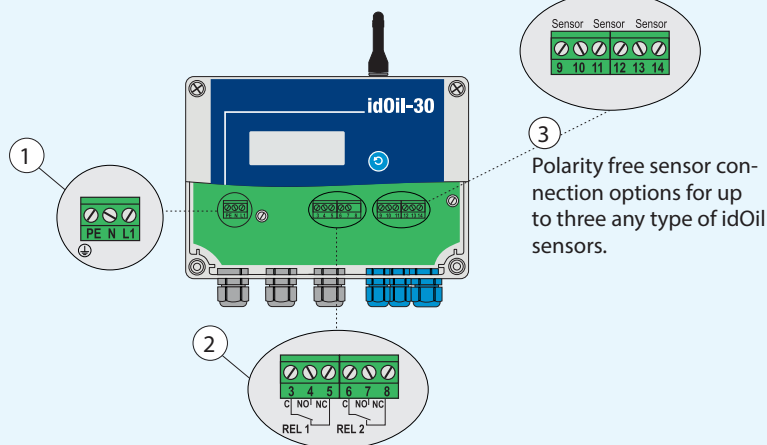
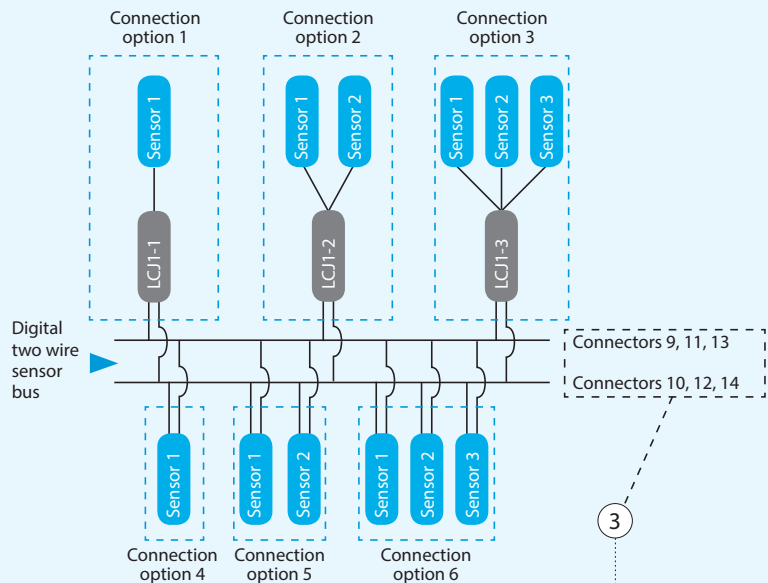


- System status view with current alarms
- Date and time settings
- Language selection
- Alarms log, downloadable
- Inspection settings
- Write inspection notes
- Inspection diary, downloadable
- Customer data input for display
- Alarm settings
- Sensor identification and naming
- Relay configuration
- Software update

Cable connectors

-  **LCJ1-1**
Cable connector for one sensor.
-  **LCJ1-2**
Cable connector for two sensors.
-  **LCJ1-3**
Cable connector for three sensors.

Installation



- Supply voltage 100-240 V AC**
PE = Ground conductor
N = Neutral conductor
L1 = Phase conductor
- Relay output**
Relay 1
3 = Common pole
4 = Opening pole when alarm
5 = Closing pole when alarm
Relay 2
6 = Common pole
7 = Opening pole when alarm
8 = Closing pole when alarm
- Sensor connectors**
9 = Sensor 1 connection 1
10 = Sensor 1 connection 2
11 = Sensor 2 connection 1
12 = Sensor 2 connection 2
13 = Sensor 3 connection 1
14 = Sensor 3 connection 2

Labkotec Oy reserves the rights to alterations without prior notice.