



## PT41 SERIES

- Gauge ranges from 23,000 psig to 145,000 psig
- Current and voltage outputs available
- Elgiloy and 13-8PH Stainless Steel wetted parts
- CE compliant to suppress RFI, EMI and ESD
- RoHS compliant

### APPLICATIONS

- Laboratory & test equipment
- Power generation
- Hydrostatic testing
- High pressure cleaning
- Waterjet cutting

### SPECIFICATIONS

<b>Output signals</b>	4 mA to 20 mA, 2-wire; 0 Vdc to 5 Vdc, 0 Vdc to 10 Vdc, 3-wire	
<b>Pressure ranges</b>	Gauge ranges from 23,000 psi through 145,000 psi	
<b>Accuracy*</b>	±0.50% of span, optional ±0.25% of span, non-linearity best fit straight line per IEC 61298-2 at reference conditions	
<b>Adjustment</b>	± 10% full scale for zero and span	
<b>Response time</b>	< 1 ms (between 10% and 90% full scale)	
<b>Temperature ranges*</b>	Compensated:	32 °F to 176 °F (0 °C to 80 °C)
	Media:	32 °F to 176 °F (0 °C to 80 °C)
	Ambient:	-4 °F to 176 °F (-20 °C to 80 °C)
	Storage:	-40 °F to 185 °F (-40 °C to 85 °C)
<b>Power requirement*</b>	10 Vdc to 30 Vdc:	4 mA to 20 mA, 2-wire, 0 Vdc to 5 Vdc, 3-wire
	14 Vdc to 30 Vdc:	0 Vdc to 10 Vdc, 3-wire
<b>Proof &amp; burst pressure</b>	See user manual	
<b>Measuring element</b>	Elgiloy and 13-8PH Stainless Steel	
<b>Process connection</b>	13-8PH Stainless Steel	
<b>Housing material</b>	316 Stainless Steel	
<b>Environmental rating</b>	IP65: DIN EN 175301-803 Form C IP67: 4-pin Bayonet, 6-pin Bayonet, 1/2" NPT conduit, M12 x 1 (4-pin), Integral cable	
<b>Electromagnetic rating</b>	CE compliant to EMC norm EN 61326:2014/A1:1998 RFI, EMI and ESD protection	
<b>Electrical protection</b>	Reverse polarity, overvoltage and short circuit protection	
<b>Shock</b>	100 g's according to IEC 60068-2-27	
<b>Vibration</b>	15 g's according to IEC 60068-2-6	
<b>Weight</b>	Approximately 7.5 oz.	

\* See user manual for detailed specifications

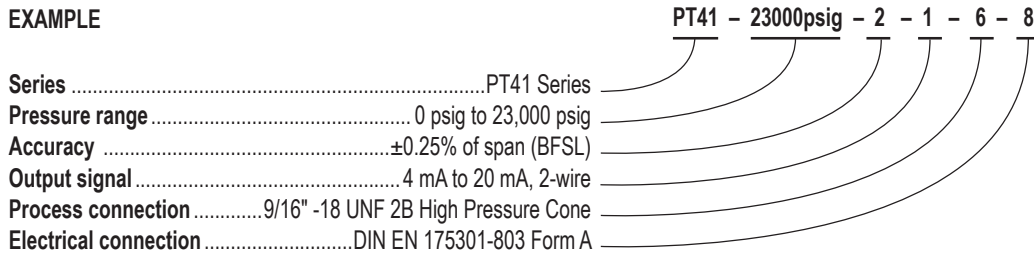
ORDERING INFORMATION			
SERIES	PT41		
PRESSURE RANGES	23000psig	0 psig to 23,000 psig	58000psig 0 psig to 58,000 psig
	30000psig	0 psig to 30,000 psig	72000psig 0 psig to 72,000 psig
	36000psig	0 psig to 36,000 psig	87000psig 0 psig to 87,000 psig
			100000psig 0 psig to 100,000 psig
			115000psig 0 psig to 115,000 psig**
			145000psig 0 psig to 145,000 psig**
			psig = gauge pressure Other ranges available on request
ACCURACIES	1	±0.50% (of span, non-linearity, BFSL per IEC 61298-2 at reference conditions)	2 ±0.25% (of span, non-linearity, BFSL per IEC 61298-2 at reference conditions)
OUTPUT SIGNALS	1	4 mA to 20 mA, 2-wire	2 0 Vdc to 5 Vdc, 3-wire
			5 0 Vdc to 10 Vdc, 3-wire
PROCESS CONNECTION	6	9/16" -18 UNF 3B high pressure cone*	51 M20 x 1.5 female thread with sealing cone
			Other connections available upon request
ELECTRICAL CONNECTIONS	3	6-pin Bayonet	18 DIN EN 175301-803 Form A w/ 3 ft. cable
	8	DIN EN 175301-803 Form A	25 M12 x 1 (4-pin)
	14	DIN EN 175301-803 Form A w/ 1/2" NPT female conduit	36 3 ft. Integral cable
	16	1/2" NPT conduit w/ 3 ft. cable	

Please consult your local NOSHOK Distributor or NOSHOK, Inc. for availability and delivery information.

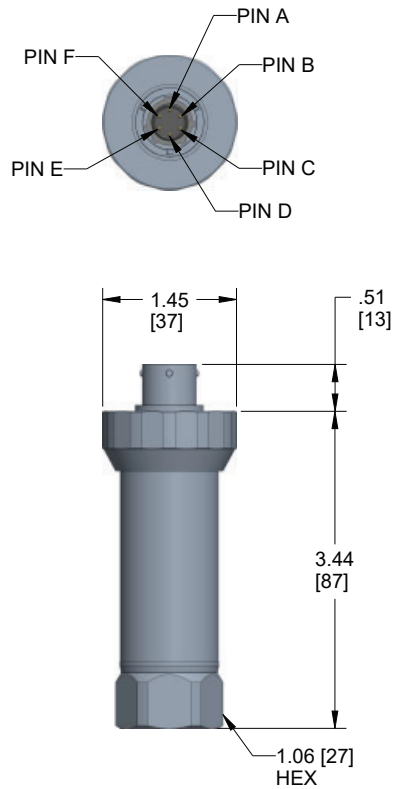
\* Equivalent to F250C Parker Autoclave

\*\* Only available with M20 x 1.5 female thread with sealing cone (-51)

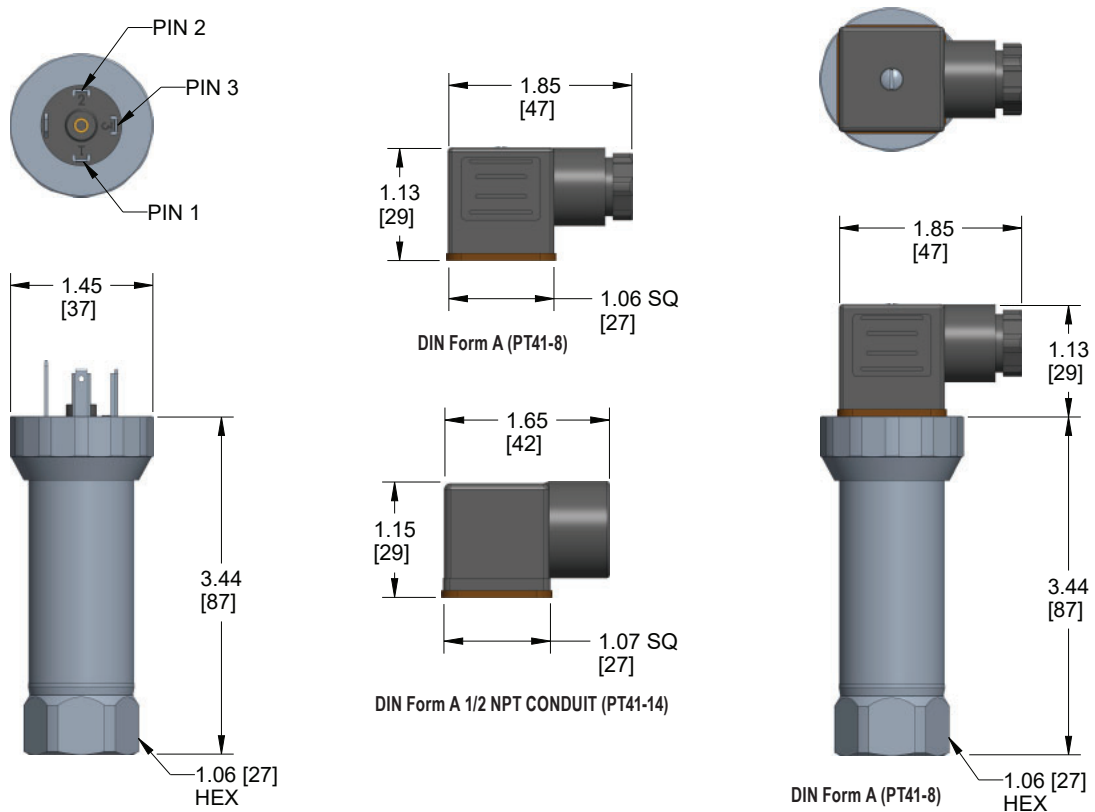
**EXAMPLE**



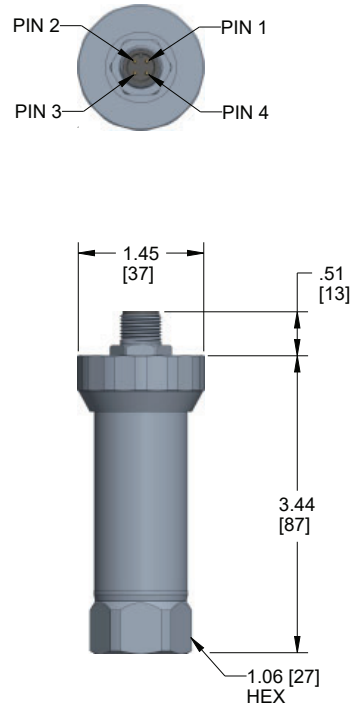
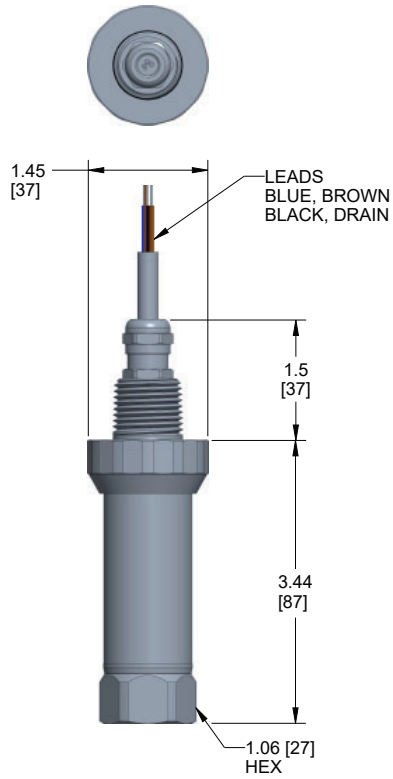
### PT41-3 (6-Pin Bayonet)



### PT41 (DIN EN 175301-803 Form A)



PT41-16 (1/2" NPT conduit w/ 3 ft. Cable) PT41-25 (M12 x 1 4-pin)



PT41-36 (3 ft. Integral Cable)

