



PT130 SERIES

- Adjustable pressure ranges vacuum to 1,450 psig
- All ranges are user adjustable from vacuum to full scale with standard on board display
- 4 mA to 20 mA HART® optional pressure transmitter
- Accuracy $\pm 0.1\%$ of adjusted span
- 10:1 turn down
- All Stainless Steel construction with 316 Stainless Steel wetted parts
- CE compliant to suppress RFI, EMI and ESD

APPLICATIONS

- General industrial
- Pulp & paper
- Water & wastewater
- Power generation
- Food & beverage

SPECIFICATIONS

| | |
|-----------------------------------|---|
| Output signals | 4 mA to 20 mA 2-wire, 4 mA to 20 mA 2-wire with HART® |
| Adjustable pressure ranges | 5 psig to 1,450 psig (All ranges are user adjustable from vacuum to full scale) |
| Accuracy | 0.1% of adjusted span (Turn down 10:1) |
| Stability | <0.1%/year |
| Adjustment | By 3 push buttons on display or optional HART® protocol |
| Response time | <250 ms |
| Service life | >10 years |
| Temperature ranges | Media -4 °F to 176 °F (-20 °C to 80 °C) Ambient -4 °F to 158 °F (-20 °C to 70 °C) Flange -4 °F to 212 °F (-20 °C to 100 °C) |
| Power requirement* | 12 Vdc to 36 Vdc |
| Measuring element | 316 Stainless Steel (Hastelloy C, Tantalum or Goldplated optional) |
| Connection | 316 Stainless Steel |
| Housing material | 304 Stainless Steel (316 Stainless Steel optional) |
| Environmental rating | IP66 (IP68 optional) |
| Electromagnetic rating | CE compliant to EMC-Directive 2014/30/EU RFI, EMI and ESD protection |
| Weight | Approximately 3.3 lb. (Depending on process connection) |

* Unregulated

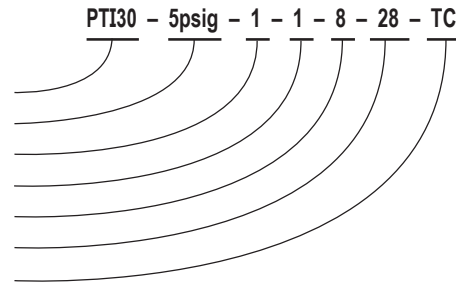
| ORDERING INFORMATION | | | |
|-----------------------------------|--|--|--|
| SERIES | PTI30 | | |
| ADJUSTABLE PRESSURE RANGES | 5psig | Min. span 1.45 psi, max. span 5.8 psi (lowest vacuum pressure -5.8 psig) | 435psig Min. span 72.5 psi, max. span 435 psi (lowest vacuum pressure -15 psig) |
| | 17psig | Min. span 4 psi, max. span 17.4 psi (lowest vacuum pressure -15 psig) | 1450psig Min. span 290 psi, max. span 1,450 psi (lowest vacuum pressure -15 psig) |
| | 145psig | Min. span 14.5 psi, max. span 145 psi (lowest vacuum pressure -15 psig) | |
| | psig = gauge pressure All ranges can be user scaled in vacuum or compound | | |
| ACCURACY | 1 ±0.1% of adusted span (10:1 turn down) | | |
| OUTPUT SIGNALS | 1 4 mA to 20 mA, 2-wire | 43 4 mA to 20 mA, 2-wire with HART® | |
| PROCESS CONNECTIONS | 8 1/2" NPT male | 74 1-1/2" NPT male flush | 77 2" ANSI 150# Flange |
| | 69 1/2" NPT female | 75 Threaded flush diaphragm for flange (flange not included) | 78 3" ANSI 150# Flange |
| | 73 1" NPT male flush | 76 1-1/2" ANSI 150# Flange | 79 1" PMC connection 80 1-1/2" PMC connection |
| ELECTRICAL CONNECTIONS | 25 M12 x 1 (4-pin) | 28 1/2" NPT Female | 71 PG9 Cable Gland |
| OPTIONS | CC Certified Calibration | RMT-10 Remote Mount Head with 10 ft cable * | TC Transparent Cover (for display) |

Please consult your local NOSHOK Distributor or NOSHOK, Inc. for availability and delivery information.

*Custom Lengths Available, Consult Factory

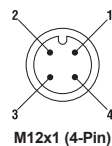
EXAMPLE

Series PTI30 Series
 Adjustable pressure range Min. span 1.45 psi, max. span 5.8 psi
 Accuracy ±0.2% of adusted span
 Output signal 4 mA to 20 mA, 2-wire
 Process connection 1/2" NPT Male
 Electrical connection 1/2" NPT Female
 Option Transparent Cover



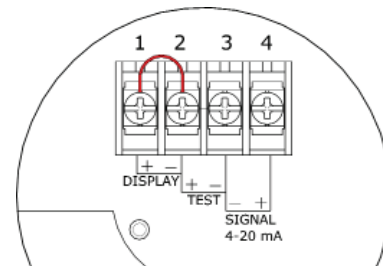
| UNINSTALLED OPTIONS & ACCESSORIES | | | |
|-----------------------------------|------------------------------|-------------------|----------------------------|
| PTI-FLANGE-15-150LB | 1-1/2" ANSI 150# Flange only | PTI-15-PMC-WA | 1-1/2" in PMC Weld Adapter |
| PTI-FLANGE-20-150LB | 2" ANSI 150# Flange only | PTI-PMC-GASKET-15 | PTFE Gasket for 1 1/2" PMC |
| PTI-FLANGE-30-150LB | 3" ANSI 150# Flange only | PTI-PMC-ORING-1 | FKM O-Rings for 1" PMC |
| PTI-10-PMC-WA | 1" PMC Weld Adapter | | |

Consult factory for availability.



M12 x 1 (4-PIN) WIRING

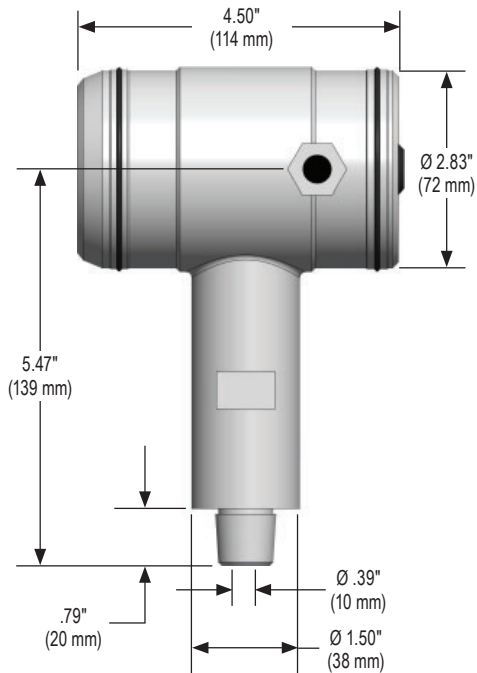
| | |
|---|----------|
| 1 | V+ |
| 2 | Not used |
| 3 | V- |
| 4 | Not used |



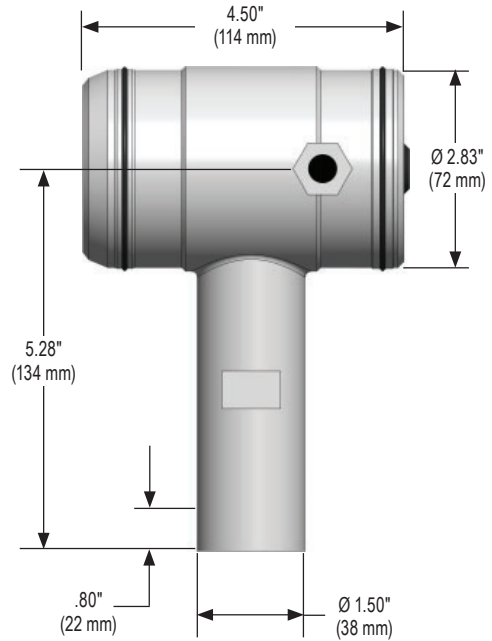
TERMINAL CONNECTION

| | |
|---|----|
| 3 | V- |
| 4 | V+ |

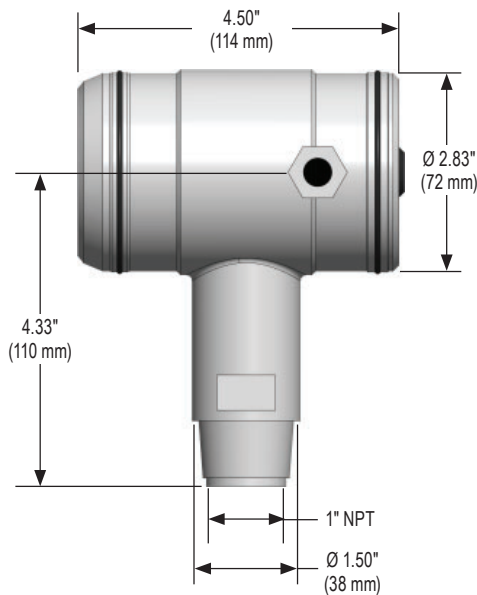
PTI30-8 (1/2" NPT Male)



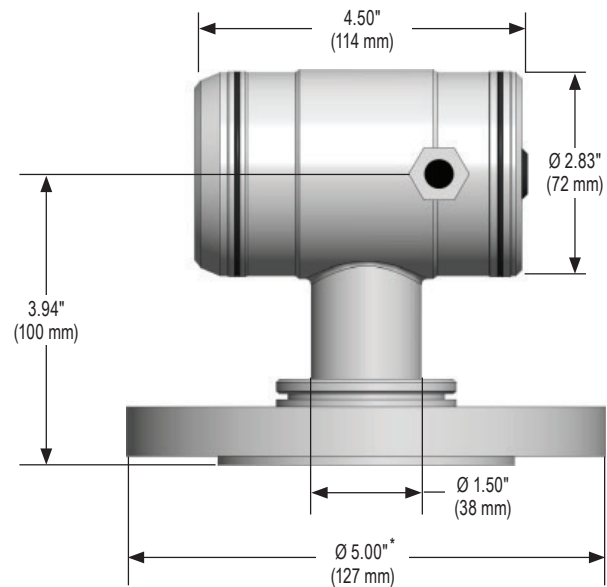
PTI30-69 (1/2" NPT Female)



PTI30-73 (1" NPT Male)



PTI30-76 (Flange)*



* Dimensions for PTI30-77 (Flange) Ø 6.00" (152 mm)

* Dimensions for PTI30-78 (Flange) Ø 7.50" (190 mm)

